

SM215w

15.6" TFT 1920x1080
Sunlight Readable
Industrial Touch Monitor



Display & Touch

15.6" TFT-LCD, 1920x1080

Brightness 1000 or 400 cd/m²

View angle 140/120 (H°/V°), Contrast 500:1

Backlight Lifetime 50,000 hours

Anti-Reflection/Anti-UV (options)

Air Bonding (option for Optical Bonding)

Capacitive / Resistive/ No touch

Hardware

HDMI, VGA, DVI

OSD Control on rear cover

Light sensor on front for auto dimming

USB Touch Interface

12~36VDC with terminal block, ≤ 20 watts

Mechanical

Dimension 420 (W) x 267 (H) x 39 (D) mm

Net weight 5 (Kgs)

Cut-out 402.9 (W) x 249.9 (H)

Panel Mount, VESA 75x75/100x100

Aluminum front bezel and steel chassis (Black)

Environmental

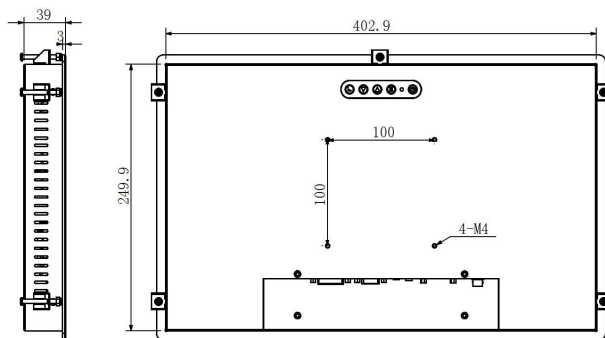
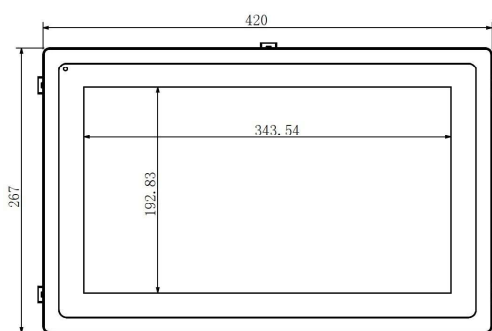
IP65 Front

Op. Temp -20°C ~ 70°C (option for 0°C ~ 50°C)

Storage Temp. -30°C ~ 80°C

10% to 90% @ 40°C (non-condensing)

CE/FCC (EN 55032, EN 55035, EN 61000-3-2, EN 61000-3-3)



High Brightness (1000 cd/m²)

Capacitive Touch

SM215WC-H	Optical Bonding, -20~70°C
SM215WC-HA	Air Bonding, -20~70°C
SM215WC-HS	Optical Bonding, 0~50°C
SM215WC-HAS	Air Bonding, 0~50°C

Resistive Touch

SM215WR-H	Optical Bonding, -20~70°C
SM215WR-HA	Air Bonding, -20~70°C
SM215WR-HS	Optical Bonding, 0~50°C
SM215WR-HAS	Air Bonding, 0~50°C

Normal Brightness (400 cd/m²)

Capacitive Touch

SM215WC-N	Optical Bonding, -20~70°C
SM215WC-NA	Air Bonding, -20~70°C
SM215WC-NS	Optical Bonding, 0~50°C
SM215WC-NAS	Air Bonding, 0~50°C

Resistive Touch

SM215WR-N	Optical Bonding, -20~70°C
SM215WR-NA	Air Bonding, -20~70°C
SM215WR-NS	Optical Bonding, 0~50°C
SM215WR-NAS	Air Bonding, 0~50°C