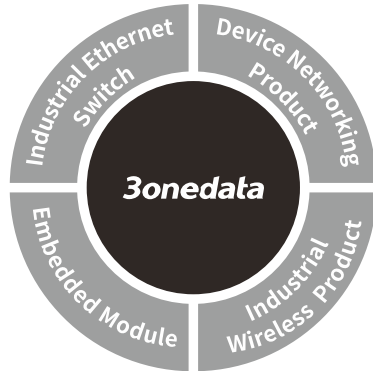


# IES2016-16T Series Unmanaged Industrial Ethernet Switch Quick Installation Guide



**3onedata Co., Ltd.**

Address: 3/B, Zone 1, Baiwangxin High Technology Industrial Park, Xili, Nanshan District, Shenzhen

Website: [www.3onedata.com](http://www.3onedata.com)

Tel: +86 0755-26702688

Fax: +86 0755-26703485

## 【Package checklist】

Please check whether the package and accessories are intact while using the switch for the first time.

- |                                 |                  |
|---------------------------------|------------------|
| 1. Industrial Ethernet switch   | 2. Certification |
| 3. DIN-Rail mounting attachment | 4. Warranty card |

If any of these items are damaged or lost, please contact our company or dealers, we will solve it ASAP.

## 【Product Overview】

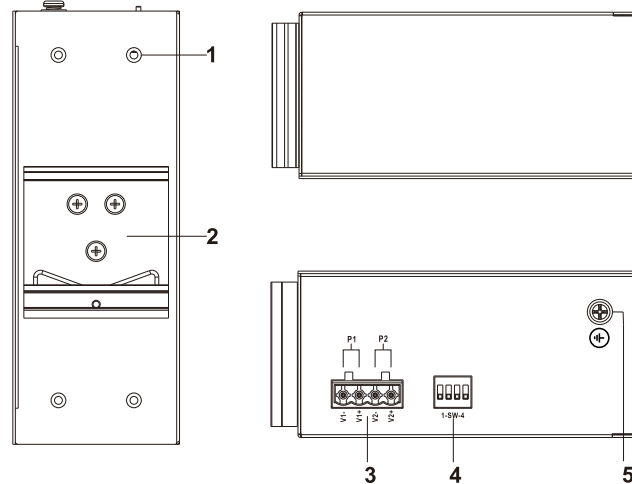
This series of products are unmanaged DIN-Rail industrial Ethernet switches. Models as follows:

Model I. IES2016-16T-2P48 (16 100M copper ports + 2 12~48VDC power supply)

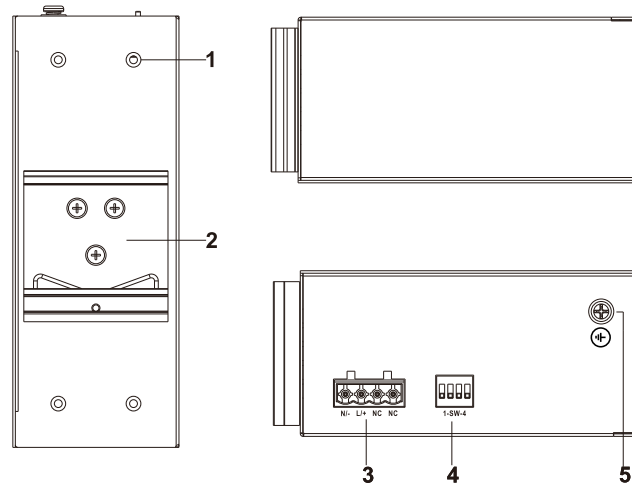
Model II. IES2016-16T-P220 (16 100M copper ports + 1 100~240VAC power supply)

## 【Panel design】

### ➤ Rear view, bottom view and top view

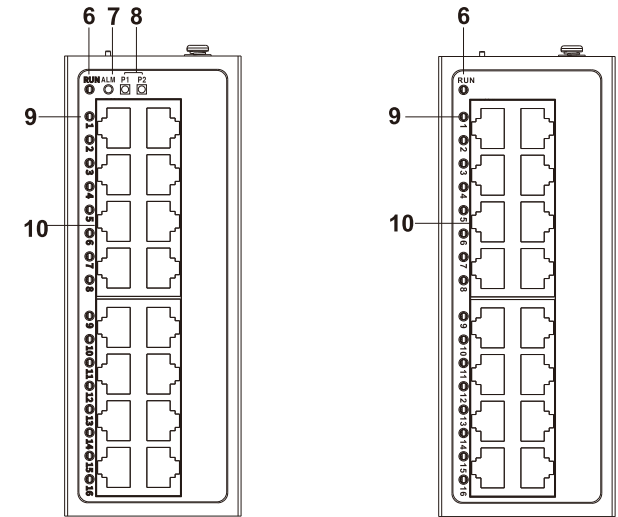


**Model I**



**Model II**

### ➤ Front view



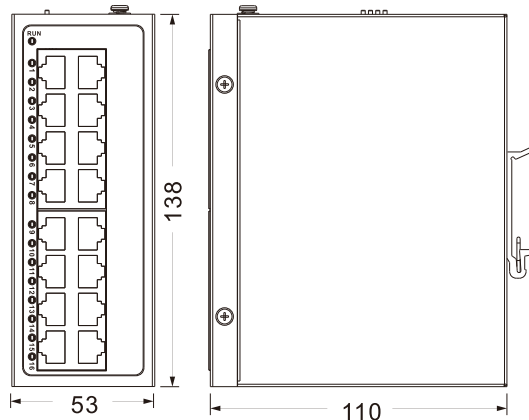
**Model I**

**Model II**

1. Wall mounting hole
2. DIN-Rail mounting kit
3. Power supply input terminal block
4. DIP switch
5. Grounding screw
6. Running indicator RUN
7. Alarm indicator ALM(Reserved)
8. Power supply indicator P1/P2
9. Copper port connection indicator
10. 100M Ethernet copper port

## 【Mounting Dimension】

Unit: mm

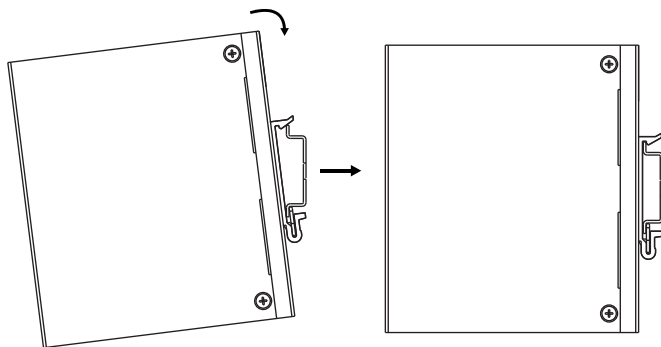


#### Attention before mounting:

- Don't place or install the device in area near water or moist, keep the relative humidity of the device surrounding between 5%~95% without condensation.
- Before power on, first confirm the supported power supply specification to avoid over-voltage damaging the device.
- The device surface temperature is high after running; please don't directly contact to avoid scalding.

#### 【DIN-Rail Mounting】

For convenient usage in industrial environments, the product adopts 35mm DIN-Rail mounting, mounting steps as below:



Step 1 Check whether the DIN-Rail mounting kit that comes with the device is installed firmly.

Step 2 Insert the bottom of DIN-Rail mounting kit (one side with spring support) into DIN-Rail, and then insert the top into DIN-Rail.

Tips:

Insert a little to the bottom, lift upward and then insert to the top.

Step 3 Check and confirm the product is firmly installed on DIN-Rail, and then mounting ends.

#### 【Disassembling DIN-Rail】

Step 1 Power off the device.

Step 2 After lift the device upward slightly, first shift out the top of DIN-Rail mounting kit, and then shift out the bottom of DIN-Rail, disassembling ends.

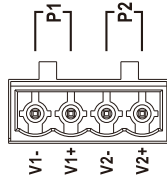


#### Attention before powering on:

- Power ON operation: first connect power line to the connection terminal of device power supply, and then power on.
- Power OFF operation: first unpin the power plug, and then remove the power line, please note the operation order above.

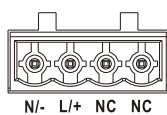
#### 【Power Supply Connection】

##### ➤ DC power supply



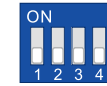
This series of Model I provide 4-pin 5.08mm pitch power input terminal blocks and two independent DC power supply systems of P1 and P2. The power supply supports anti-reverse connection and 3A over-current protection. Power supply range: 12~48VDC.

##### ➤ AC power supply



This series of model II support AC single power supply scheme. They provide 4-pin 5.08mm pitch input terminal blocks with 2 power supply pins. It supports 2A over-current protection. Input voltage of power supply: 220VAC (100~240VAC).

#### 【DIP Switch Settings】



It provides 4-pin DIP switch for function settings, among which "ON" is enable valid end.

The definitions of DIP switch are as follows:

DIP	Definition	Operation
1	Flow control	Set the DIP switch to ON, then the device will reboot and enable the flow control function.
2	Storm suppression	Set the DIP switch to ON, then the device will reboot and enable the storm suppression function.
3	Reserved	—
4	Reserved	—

#### 【Checking LED Indicator】

The function of each LED is described in the table as below:

LED	Status	Description
P1/P2 (only for DC product)	ON	Power supply is connected and running normally
	OFF	Power supply is disconnected and running abnormally.
RUN	ON	Device is running normally.
	OFF	Device is disconnected and running abnormally.
Link/ACT (1-16)	ON	Ethernet port connection is active.
	Blinking	Data transmitted
	OFF	Ethernet port connection is inactive.

#### 【Specification】

Panel	
100M copper port	10/100Base-T(X) self-adapting RJ45 port, full/half duplex self-adaption, support MDI/MDI-X self-adaption
Indicator	Power indicator, interface indicator, running indicator
Exchange attributes	

Backplane bandwidth	3.2G
MAC table size	8K
<b>Power supply</b>	
Model I	Input voltage of power supply: 12~48VDC Support dual power supply redundant backup and non-polarity connection
Model II	Input voltage of power supply: 100~240VAC
Access terminal	4 pins 5.08mm pitch terminal blocks
<b>Consumption</b>	
Model II	No-load: 0.7W@220VAC Full-load: 2.6W@220VAC
<b>Environmental Limits</b>	
Working temperature	-40~75℃
Storage temperature	-40~85℃
Working humidity	5%~95% (no condensation)
Protection grade	IP40 (metal shell)