



FEATURES

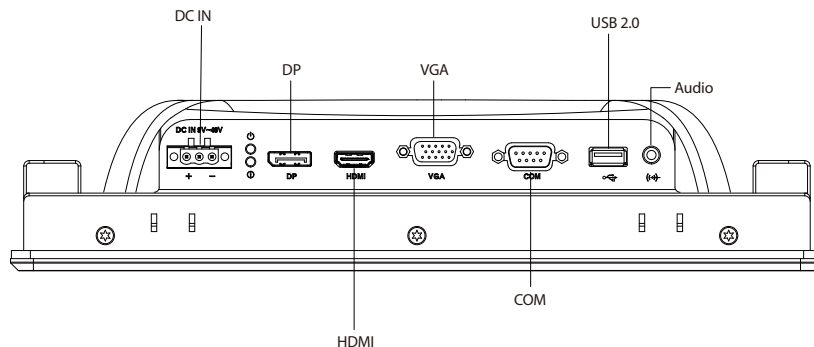
- 10.4" TFT SVGA 4:3 LCD with Resistive 5-wire /Projected Capacitive Touch
- 1x VGA, 1x HDMI, 1x DisplayPort, 1x USB 2.0, 1x COM, 1x Audio
- 9 to 48VDC wide range power input
- -10°C to 60°C extended operating temperature
- Designed with Aluminum Die-Casting Front Frame
- IP65 Compliant Front Panel
- Two 5W Internal Speakers Built-in
- Multi-language OSD built-in

Display	
LCD Size	10.4" [4:3]
Max. Resolution	800 x 600 (SVGA)
Brightness (cd/m ²)	400
Contrast Ratio	700:1
LCD Color	16.2M
Pixel Pitch (mm)	0.264 (H) x 0.264 (V)
Viewing Angle (H-V)	160 / 130 (Deg.)
Backlight MTBF	50000 hrs (LED Backlight)
Touch	
Resistive 5-wire	VIO-110R / MX200
Projected Capacitive	VIO-110C / MX200
I/O	
VGA	1x VGA Input
HDMI	1x HDMI Input
DisplayPort	1x DisplayPort Input
USB 2.0	1x USB 2.0 Input
COM Port	1x COM Port Input (Resistive Touch Only)
Audio	1x Audio Input
Other Features	
Internal Speaker	AMP 5W + 5W
OSD	LCD On/Off, Auto, Menu, Up and Down Multi-language

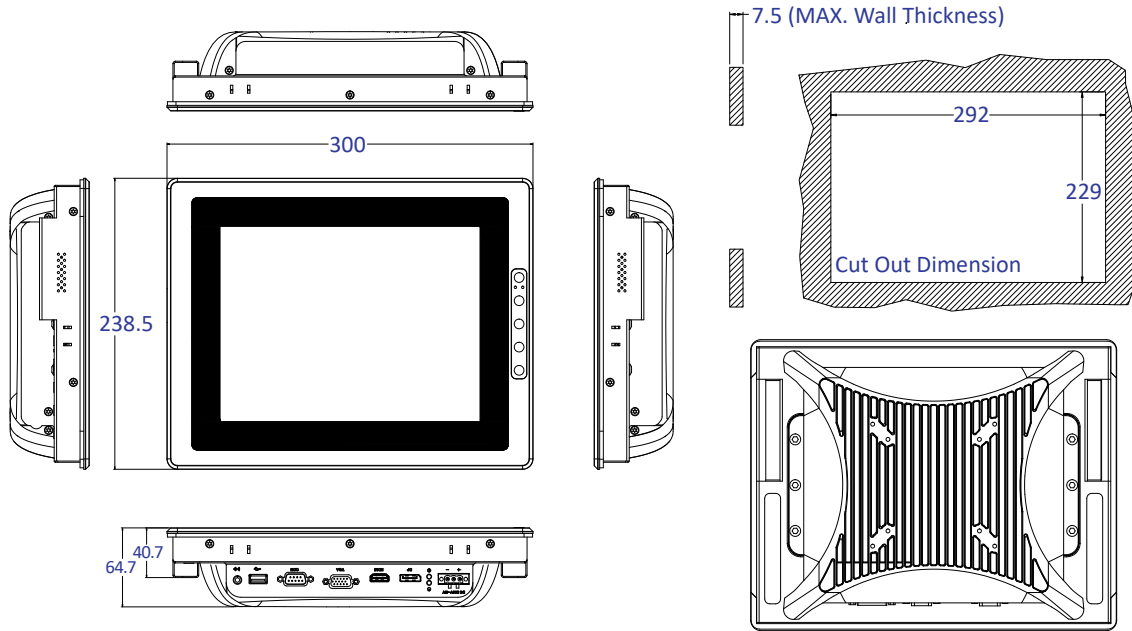
Power	
Power Supply Voltage	9~48VDC
Power Connector	3-pin Terminal Block
Power Adaptor	Optional AC/DC 12V/5A, 60W
Power Protection	OVP [Over Voltage Protection] OCP [Over Current Protection] Reverse Protection
Environment	
Operating Temp.	-10°C to 60°C
Storage Temp.	-20°C to 70°C
Relative Humidity	10%-80% (non-condensing)
IP Level	IP 65 Compliant Front Panel
Vibration	1.5 Grms, 5 - 500 Hz, 0.5 hr/axis
Shock	20G, half sine, 11ms
Standards / Certification	CE, FCC Class A
Physical	
Front Panel Construction	Die-cast Flat Surface
Dimension	300 (W) x 238.5 (D) x 64.7 (H) mm
Weight	3.67 kg - 3.74 kg
Mounting	VESA Mounting Holes 75 x 75mm, 100 x 100mm

EXTERNAL I/O MECHANICAL LAYOUT

Rear I/O



DIMENSION



Unit: mm

ORDERING INFORMATION

MODEL NO.	DESCRIPTION
1-E09A06008	Adapter AC/DC 12V 5A 60W with 3pin Terminal Block Plug 5.0mm Pitch
SFICBL022	Power Cord, 3-pin US Type, 180cm
1-TPCD00002	Power Cord, European Type, 180cm
1-TPCD00001	Power Cord, 3-pin UK Type, 180cm

PACKING LIST

- 1x VIO-110/MX200 Series Touch Monitor
- 6x Panel Mount Kit
- 1x USB Cable
- 1x VGA Cable
- 1x Screw Pack

AVAILABLE MODELS

MODEL NO.	DESCRIPTION
VIO-110R/MX200	10.4" 4:3 SVGA Resistive Touch Monitor with 2x 5W Speaker
VIO-110C/MX200	10.4" 4:3 SVGA Capacitive Touch Monitor with 2x 5W Speaker