



FEATURES

- 23.8" TFT FHD 16:9 LCD with Resistive 5-wire / Capacitive Touch
- Designed with Aluminum Die-Casting Front Frame
- IP65 Compliant Front Panel
- Two 10W Internal Speakers Built-in
- Multi-language OSD built-in

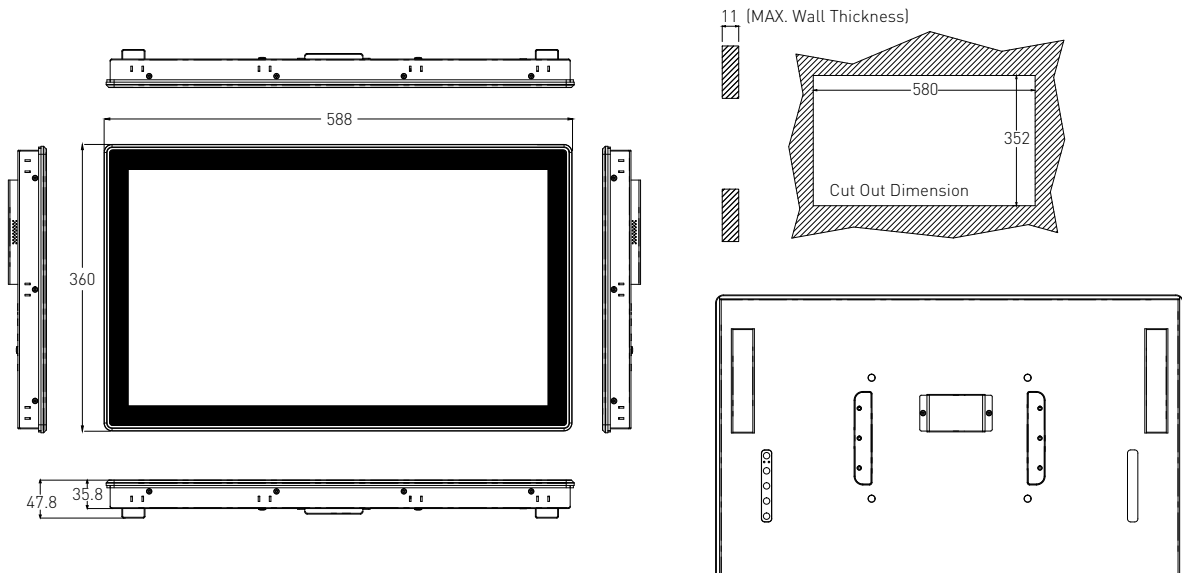
SPECIFICATIONS

Display	
LCD Size	23.8" (16:9)
Max. Resolution	1920 x 1080 (Full HD)
Brightness	350 (cd/m ²)
Contrast Ratio	1000
LCD Color	16.7M
Pixel Pitch (mm)	0.2745 (H) x 0.2745 (V)
Viewing Angle (H-V)	178 / 178 (Deg.)
Backlight MTBF	30000 hrs (LED Backlight)
Touch	
Resistive 5-wire	VIO-W224R
Projected Capacitive	VIO-W224C
I/O	
Internal Speaker	AMP 10W(L) + 10W(R)
OSD	LCD On/Off, Auto, Menu, Up and Down Multi-language

Environment	
Operating Temp.	-10°C to 50°C
Storage Temp.	-20°C to 60°C
Relative Humidity	10%-80% (non-condensing)
IP Level	IP 65 Compliant Front Panel
Physical	
Front Panel Construction	Die-cast Flat Surface
Dimension	588 (W) x 360 (D) x 47.8 (H) mm
Weight	8 kg ~ 8.25 kg
Mounting	VESA Mounting Holes 75 x 75mm, 100 x 100mm

DIMENSION

Unit: mm



ORDERING INFORMATION

PACKING LIST

- 1x VIO-W224 Series Display Module
- 12x Panel Mount Kit

AVAILABLE MODELS

MODEL NO.	DESCRIPTION
VIO-W224R	23.8" 16:9 FHD Resistive Touch Window Thin Frame Display Module with 2x 10W Speaker
VIO-W224C	23.8" 16:9 FHD Capacitive Touch Thin Frame Display Module with 2x 10W Speaker