

# **eX700 Series**

## Operating Instructions



Copyright © 2018-2020 Exor International S.p.A. – Verona, Italy  
Subject to change without notice

The information contained in this document is provided for informational purposes only. While efforts were made to verify the accuracy of the information contained in this documentation, it is provided “as is” without warranty of any kind.

Third-party brands and names are the property of their respective owners.

[www.exorint.com](http://www.exorint.com)

Software available in these products is based on OpenSource. Visit [oss.exorint.net](http://oss.exorint.net) for more details.



# Table of Contents

Introduction	4
Safety Guide	5
1 Product Overview	6
2 Standards and Approvals	7
3 Technical Specifications	9
4 Technical Data	11
4.1 Dimensions	13
4.2 Installation Environment	15
4.3 Safety instruction	16
4.4 Installation Procedure	16
5 Connections	17
5.1 Serial Port	19
5.2 Ethernet Port	19
5.3 Optional plugin module	20
5.4 Optional plugin module identification	21
5.5 Optional plugin module installation procedure	22
6 Power Supply, Grounding and Shielding	25
7 Battery	26
8 Special Instruction for Use	27
9 Getting Started	27
10 System Settings	28
11 Unpacking and Packing Instructions	30

# Introduction

The operational guidelines described below is information which relates to the device, installation, transportation, storage, assembly, use and maintenance.

This Operating Instruction describes the main features of the Exor operator panels. The Manual refers to the following models:

- eX705 Operator interface with TFT color 5" widescreen display multitouch projected capacitive touchscreen
- eX707 Operator interface with TFT color 7" widescreen display multitouch projected capacitive touchscreen
- eX710 Operator interface with TFT color 10.1" widescreen display multitouch projected capacitive touchscreen
- eX712 Operator interface with TFT color 12.3" widescreen display multitouch projected capacitive touchscreen
- eX715 Operator interface with TFT color 15.6" widescreen display multitouch projected capacitive touchscreen
- eX721 Operator interface with TFT color 21.5" widescreen display multitouch projected capacitive touchscreen

# Safety Guide

The manual contains safety standards that must be respected for the personal safety and to avoid damage. Indications of attention are divided into three levels of severity:

**DANGER:** indicates a failure to observe safety rules and such failure may cause death or serious injuries.



**DANGER**

**ATTENTION:** indicates a failure to observe safety rules and that deficiency may cause damage.



**ATTENTION**

**CAUTION:** indicates a failure to observe safety rules and that deficiency may cause defects to the equipment or inconsistencies.



**CAUTION**

# 1 Product Overview

eX Series 700 HMI products combine state-of-the-art connectivity features and top performance in a great design. Products have been designed as IoT edge devices with the combination of a powerful controller with networking capability (up to 3 Ethernet networks) and outstanding communication options including client/server OPC UA. They are the ideal choice for all demanding IoT edge applications in factory, marine and building automation.

The glass projected capacitive touchscreen and the brilliant displays with size up to 21.5" and resolution up to 1920x1080 guarantee great optical performance; with the support of multitouch gesture programming they can create the most natural human interfaces.

- eX Series 700 products have been designed to run the JMobile software for powerful HMI applications.
- Gateway function with OPC UA Server and Client.
- Secure connectivity with JMcloud and full network separation.
- Powerful browser with industry standard Web engines.
- Optional CODESYS V3 PLC runtime with choice of major I/O protocols.
- Optional plug-in modules for fieldbus systems, I/O and controllers.

## 2 Standards and Approvals

The products have been designed for use in an industrial environment in compliance with the 2014/30/EU EMC Directive.

The products have been designed in compliance with:

EN 61000-6-4      CISPR 22      Class A  
CISPR 16-2-3

EN 61000-6-2      EN 61000-4-2  
EN 61000-4-3  
EN 61000-4-4  
EN 61000-4-5  
EN 61000-4-6  
EN 61000-4-8  
EN 61000-4-11  
EN 61000-4-29

EN60945

IECEX  
IEC 60079-0, Ed.6  
IEC 60079-15, Ed.4  
IEC 60079-31, Ed.2

IECEX: IECEX ULD 17.0019X  
Ex nA IIC T5...T4 Gc -20°C≤Tamb≤+60°C or 0°C≤Tamb≤+50°C  
Ex tc IIIC T95°C Dc

ATEX  
EN 60079-0: 2012+A11:2013  
EN 60079-15: 2010  
EN 60079-31: 2014



DEMKO 17 ATEX 1871X  
II 3G Ex nA IIC T5...T4 Gc -20°C≤Tamb≤+60°C or 0°C≤Tamb≤+50°C  
II 3D Ex tc IIIC T95°C Dc

The installation of these devices into the residential, commercial and light-industrial environments is allowed only in the case that special measures are taken in order to ensure conformity to EN 61000-6-3.

The products are in compliance with the Restrictions on Certain Hazardous Substances (RoHS) Directive 2011/65/EU

In compliance with the above regulations the products are CE marked.

## 2 Standards and Approvals

### Product Identification

The product may be identified through a plate attached to the rear cover. You will have to know the type of unit you are using for correct usage of the information contained in the guide.

An example of this plate is shown in the figure below:

Note: the eX707 label is used as an example for eX700 Series



product model name	eX707
product part number	EX707U5P1
year/week of production	1816
serial number	AA00011FT000000561AA
version id of the product	120408A04002000
manufacturer address	Exor International S.p.A. Via Monte Fiorino 9 IT-37057 San Giovanni Lupatoto (VR)
ATEX Marking	 DEMKO 17 ATEX 1871X II 3G Ex nA IIC T5...T4 Gc 0°C ≤ Tamb ≤ +50°C or -20°C ≤ Tamb ≤ +60°C II 3D Ex tc IIIC T95°C Dc
IECEX Marking	IECEX: IECEX ULD 17.0019X Ex nA IIC T5...T4 Gc 0°C ≤ Tamb ≤ +50°C or -20°C ≤ Tamb ≤ +60°C Ex tc IIIC T95°C Dc



## 3 Technical Specifications

<b>Touchscreen technology</b>	Projected capacitive	
<b>Back-up battery</b>	3V 50mAh Lithium, rechargeable, not user-replaceable, model VL2330.	
<b>Fuse</b>	Automatic	
<b>Serial Port</b>	RS-232, RS-485, RS-422 software configurable	
<b>Flash</b>	4GB for eX705, eX707, eX710, 8GB for eX712, eX715, eX721	
<b>RAM</b>	512MB for eX705, 1GB for eX707, eX710, 2GB for eX712, eX715, eX721	
<b>Hardware clock</b>	Clock/Calendar with back-up battery	
<b>Accuracy RTC (at 25°C)</b>	<100ppm	
<b><i>Environmental conditions</i></b>		
<b>Operating temperature (surrounding air temperature)</b>	-20 ÷ +60°C (vertical installation) Plug-in modules and USB devices may limit max temperature to +50°C	EN 60068-2-14
<b>Storage temperature</b>	-20 ÷ +70°C	EN 60068-2-1 EN 60068-2-2 EN 60068-2-14
<b>Operating and storage humidity</b>	5 ÷ 85 % RH not-condensing	EN 60068-2-30
<b>Vibrations</b>	5 ÷ 9 Hz, 7 mm <sub>p-p</sub> 9 ÷ 150 Hz, 1 g	EN 60068-2-6
<b>Shock</b>	± 50 g, 11 ms, 3 pulses per axis	EN 60068-2-27
<b>Protection class</b>	Front panel IP66, Rear IP20	EN 60529
<b><i>Electromagnetic Compatibility (EMC)</i></b>		
<b>Radiated disturbance test</b>	Class A	CISPR 22 CISPR 16-2-3
<b>Electrostatic discharge immunity test</b>	8 kV (air electrostatic discharge) 4 kV (contact electrostatic discharge)	EN 61000-4-2
<b>Radiated, radio-frequency, electromagnetic field immunity test</b>	80 MHz ÷ 1 GHz, 10V/m 1,4 GHz ÷ 2 GHz, 3 V/m 2 GHz ÷ 2.7 GHz, 1 V/m	EN 61000-4-3
<b>Burst immunity test</b>	± 2 kV dc power port ± 1 kV signal line	EN 61000-4-4
<b>Surge immunity test</b>	± 0,5 kV dc power port (line to earth) ± 0,5 kV dc power port (line to line) ± 1 kV signal line (line to earth)	EN 61000-4-5
<b>Immunity to conducted disturbances induced by radiofrequency field</b>	0.15 ÷ 80 MHz, 10V	EN 61000-4-6
<b>Power frequency magnetic field immunity test</b>	Enclosure, 50/60Hz, 30A/m	EN 61000-4-8

## 3 Technical Specifications

### Voltage dips, short interruptions and voltage variations immunity test

Port: AC mains; Level:	
100% duration:	1 cycle and 250 cycles (50Hz); 1 cycle and 300 cycles (60Hz);
40% duration:	10 cycles (50Hz); 12 cycles (60Hz);
70% duration:	25 cycles (50Hz); 30 cycles (60Hz);
Phase: 0°-180°	

Test executed on the 230Vac side of the Exor International S.p.A. Power Supply EN 61000-4-11

Port: DC mains; Level:	
0% duration:	10ms 20 spaces by 1s

Test executed on the 24Vdc of the EUT EN 61000-4-29

### Durability information

#### Backlight service life (LED type)

40000 Hrs. or more  
(Time of continuous operation until the brightness of the backlight reaches 50% of the rated value when the surrounding air temperature is 25°C) - see Note 1

Note 1: Extended use in environments where the surrounding air temperature is 40°C or higher may degrade backlight quality/reliability/durability.

### Surface resistance

Chemical resistance of the front glass for an exposure time of 24 hours without visible changes:

- Betadine (10% Povidone Solution)
- Cola
- Electrode Gel/Paste
- Hydrogen Peroxide (3% Solution)
- NaCl (0.9% Solution)
- Coffee
- Dextrose (5% Glucose Solution)
- Hydrogen chloride (0.5% Solution PH=1)
- Isopropyl Alcohol
- Sodium Hypochlorit
- Ethyl Alcohol (70%-90%)
- Quaternary ammonium compound

## 4 Technical Data

Model	eX705	eX707	eX710
<b>Display / Backlight</b>	TFT Color / LED	TFT Color / LED	TFT Color / LED
<b>Colors</b>	64K	16M	16M
<b>Resolution</b>	800X480	800X480	1280X800
<b>Diagonal (inches)</b>	5" widescreen	7" widescreen	10.1" widescreen
<b>Dimming</b>	yes	yes	yes
<b>Flash</b>	4GB	4GB	4GB
<b>SD card slot</b>	yes	yes	yes
<b>RAM</b>	512MB	1GB	1GB
<b>Serial Port</b>	RS-232,RS-485, RS-422 software configurable	RS-232,RS-485, RS-422 software configurable	RS-232,RS-485, RS-422 software configurable
<b>Ethernet port</b>	2 10/100Mb	2 10/100Mb, 1 10/100/1000Mb	2 10/100Mb, 1 10/100/1000Mb
<b>USB port</b>	1 Host interface version 2.0 max. 500mA	2 Host interface version 2.0 max. 500mA	2 Host interface version 2.0 max. 500mA
<b>Expansion slot</b>	1 Optional Plugin	2 Optional Plugin	2 Optional Plugin
<b>Battery</b>	rechargeable	rechargeable	rechargeable
<b>Real Time Clock</b>	yes	yes	yes
<b>Voltage</b>	24Vdc (*)	24Vdc (*)	24Vdc (*)
<b>Current rating (at 24VDC)</b>	0.6A	0.7A	1.00A
<b>Weight</b>	1 Kg	1.3 Kg	1.7 Kg

(\*) 10-32Vdc

For applications requiring compliance with EN 61131-2 and specifically in reference to 10 ms voltage dips (according to EN 61000-4-29), the lower power supply voltage limit is 20,4Vdc.

## 4 Technical Data

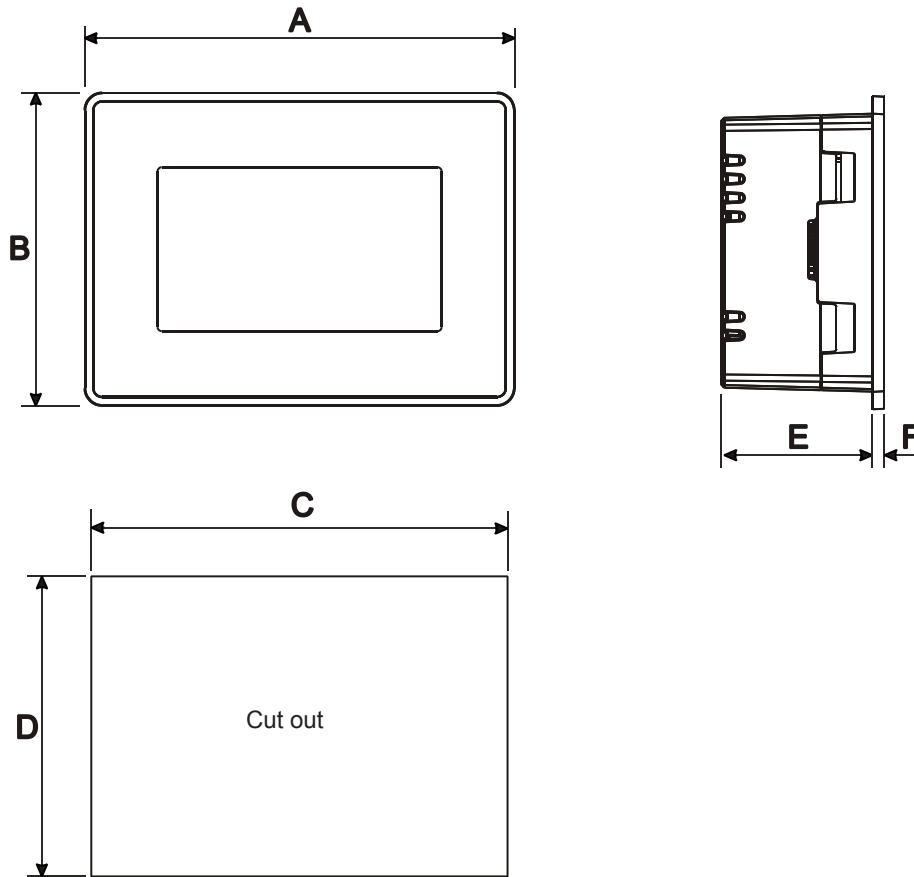
Model	eX712	eX715	eX721
<b>Display / Backlight</b>	TFT Color / LED	TFT Color / LED	TFT Color / LED
<b>Colors</b>	16M	16M	16M
<b>Resolution</b>	1920x720	1366X768	1920X1080
<b>Diagonal (inches)</b>	12,3" widescreen	15.6" widescreen	21.5" widescreen
<b>Dimming</b>	yes	yes	yes
<b>Flash</b>	8GB	8GB	8GB
<b>SD card slot</b>	yes	yes	yes
<b>RAM</b>	2GB	2GB	2GB
<b>Serial Port</b>	RS-232, RS-485, RS-422 software configurable	RS-232,RS-485, RS-422 software configurable	RS-232,RS-485, RS-422 software configurable
<b>Ethernet port</b>	2 10/100Mb, 1 10/100/1000Mb	2 10/100Mb, 1 10/100/1000Mb	2 10/100Mb, 1 10/100/1000Mb
<b>USB port</b>	2 Host interface version 2.0 max. 500mA	2 Host interface version 2.0 max. 500mA	2 Host interface version 2.0 max. 500mA
<b>Expansion slot</b>	2 Optional Plugin	2 Optional Plugin	2 Optional Plugin
<b>Battery</b>	rechargeable	rechargeable	rechargeable
<b>Real Time Clock</b>	yes	yes	yes
<b>Voltage</b>	24Vdc (*)	24Vdc (*)	24Vdc (*)
<b>Current rating (at 24VDC)</b>	1.10A	1.20A	1.70A
<b>Weight</b>	1.8 Kg	4.1 Kg	6.1 Kg

(\*) 10-32Vdc

For applications requiring compliance with EN 61131-2 and specifically in reference to 10 ms voltage dips (according to EN 61000-4-29), the lower power supply voltage limit is 20,4Vdc.

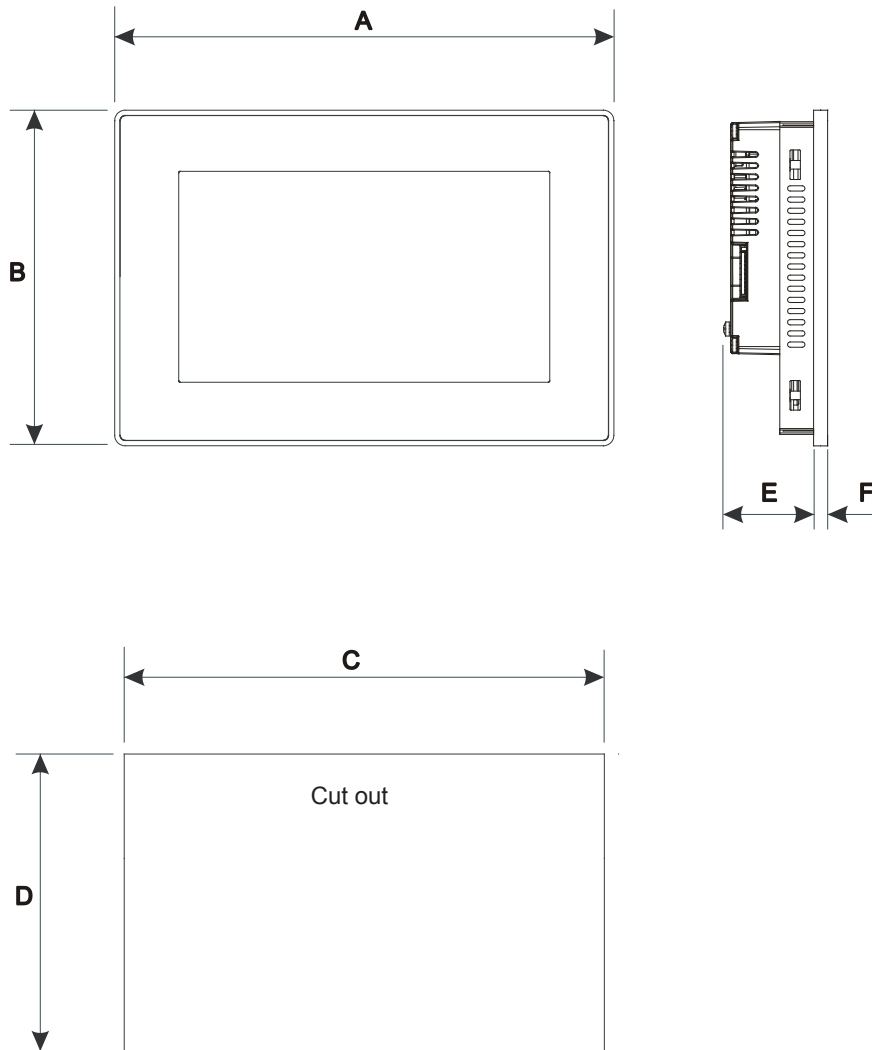
# 4 Technical Data

## 4.1 Dimensions



MODEL	A	B	C	D	E	F
eX705	147mm/5.78"	107mm/4.21"	136mm/5.35"	96mm/3.78"	56mm/2.40"	8mm/0.31"

# 4 Technical Data



MODEL	A	B	C	D	E	F
eX707	187mm/7.36"	147mm/5.79"	176mm/6.90"	136mm/5.35"	47mm/1.85"	8mm/0.31"
eX710	282mm/11.10"	197mm/7.80"	271mm/10.67"	186mm/7.32"	56mm/2.20"	8mm/0.31"
eX712	344,5mm/13.56"	163mm/6.41"	332,5mm/13,09"	163mm/6,41"	49mm/1,92"	8mm/0,31"
eX715	422mm/16.60"	267mm/10.50"	411mm/16.18"	256mm/10.00"	56mm/2.20"	8mm/0.31"
eX721	552mm/21.73"	347mm/13.66"	541mm/21.30"	336mm/13.22"	56mm/2.20"	8mm/0.31"

## 4 Technical Data

### 4.2 Installation Environment

Avoid prolonged exposition to direct sunlight to avoid the risk of overheating the device.

The equipment is not intended for installation in contact with corrosive chemical compounds. Check the resistance of the front panel to a specific compound before installation.

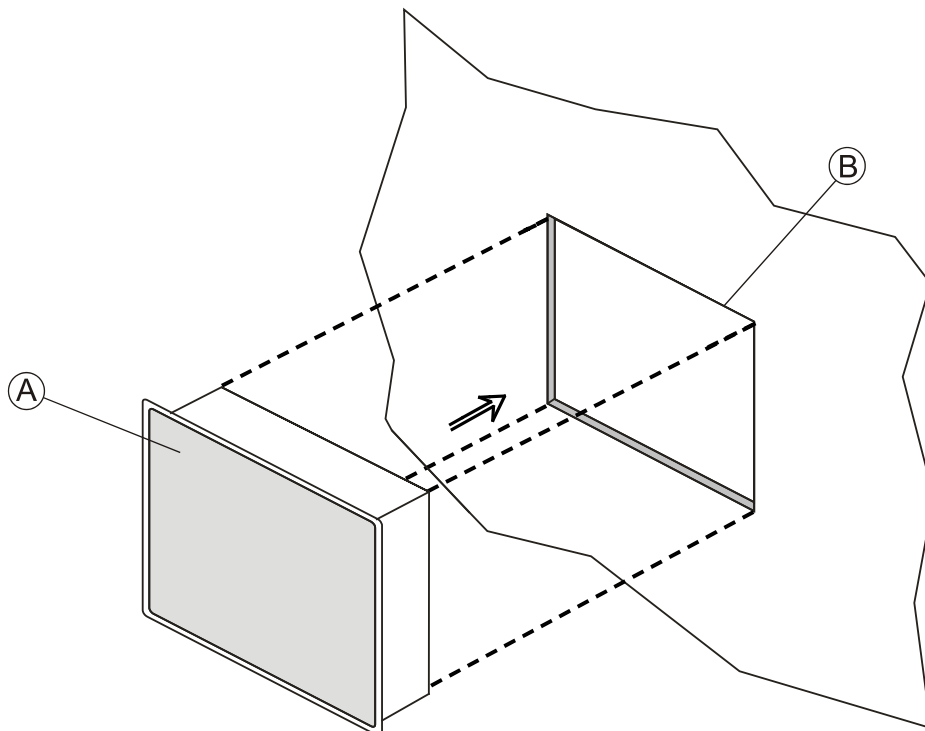
Do not use tools of any kind (screwdrivers, etc.) to operate the touch screen of the panel.

In order to meet the front panel protection classifications, proper installation procedure must be followed:

- the borders of the cutout must be flat
- screw up each fixing screw until the bezel corner get in contact with the panel.
- the cutout for the panel must be of the dimensions indicated in this manual.

The IP66 is guaranteed only if:

- max deviation from the plane surface to the cut-out:  $\leq 0.5\text{mm}$
- thickness of the case where is mounted the equipment: from 1,5mm to 6mm
- max surface roughness where the gasket is applied:  $\leq 120\ \mu\text{m}$



**A.** eX7xx  
**B.** Installation cut-out

## 4 Technical Data

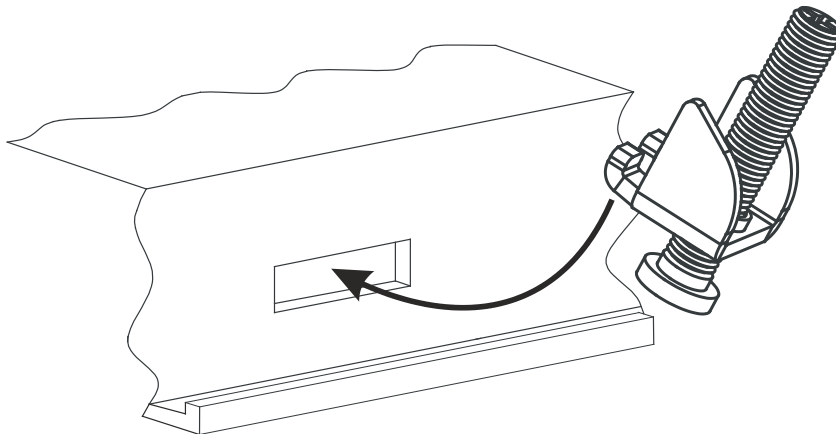
### 4.3 Safety instruction



For all installation notes, please refer to the Installation Guide provided with the product.

### 4.4 Installation Procedure

Place the fixing brackets contained in the fixing kit as shown in figure



#### CAUTION

Tightening torque: 130Ncm or screw each fixing screw until the bezel corner gets in contact with the panel.



## 5 Connections

eX705

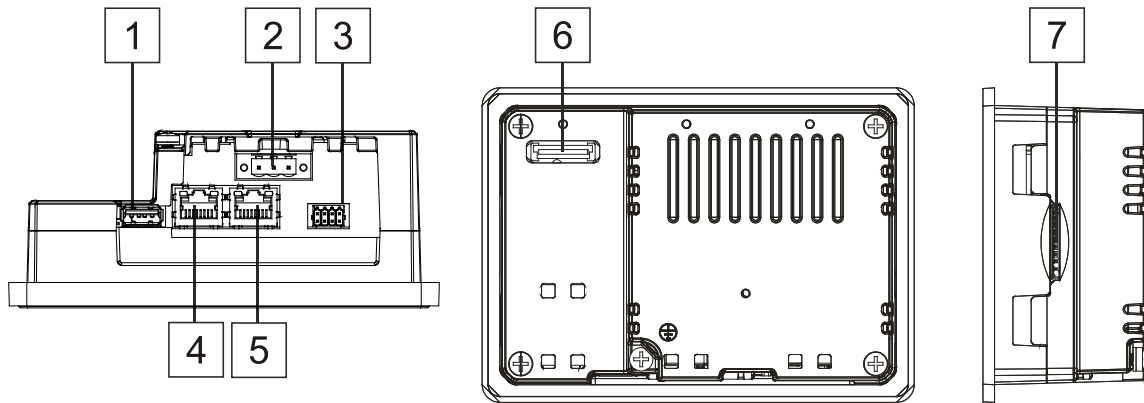


Fig. 5.1

1. USB Port V2.0, max. 500 mA - for maintenance only
2. Power Supply
3. Serial port
4. Ethernet Port 0 (10/100Mb)
5. Ethernet Port 1 (10/100Mb)
6. Expansion slot for Plugin module
7. SD Card Slot

## 5 Connections

eX707, eX710, eX712, eX715, eX721

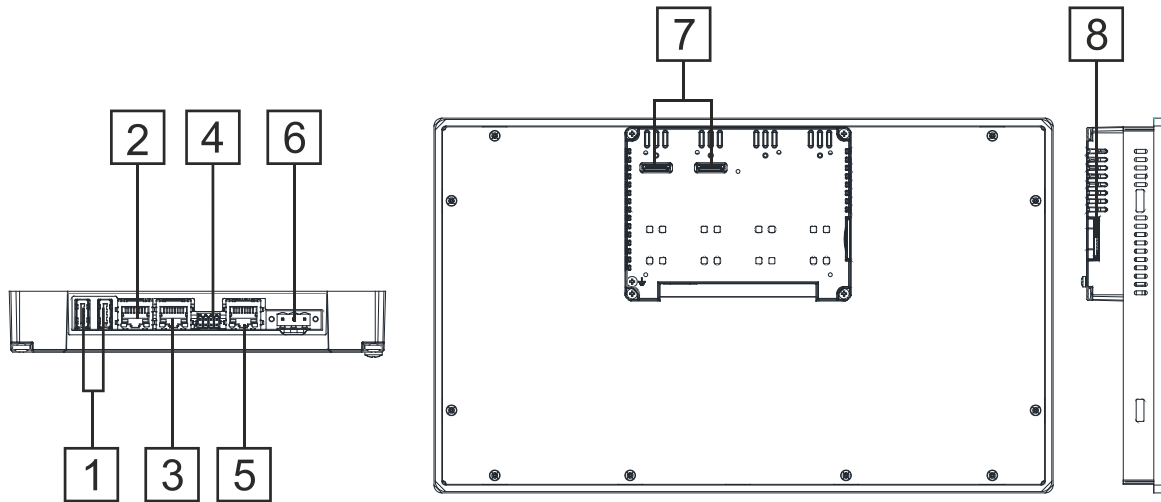


Fig. 5.2

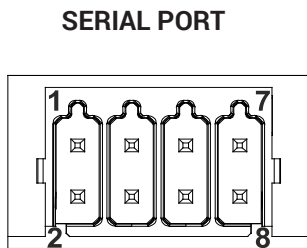
1. USB Port V2.0, max. 500 mA - for maintenance only
2. Ethernet port 2 (10/100Mb)
3. Ethernet port 1 (10/100Mb)
4. Serial Port
5. Ethernet port 0 (10/100/1000Mb)
6. Power Supply
7. 2x Expansion slot for Plugin module
8. SD Card Slot

# 5 Connections

## 5.1 Serial Port

The serial port is used to communicate with the PLC or with another type of controller. Different electrical standards are available for the signals in the PLC port connector: RS-232, RS-422, RS-485.

The serial port is software programmable. Make sure you select the appropriate interface in the programming software.



RS-232	
Pin	Description
1	RX
2	TX
3	CTS
4	RTS
5	+5V output
6	GND
7	
8	SHIELD

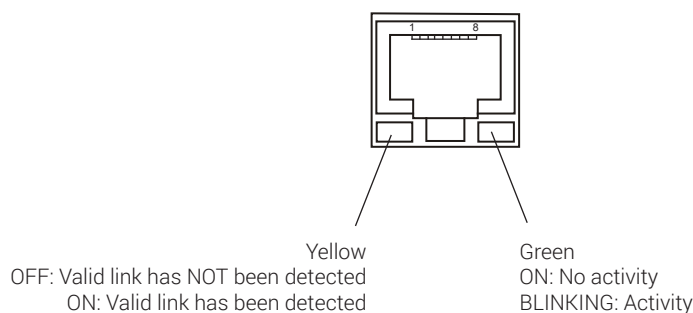
RS-422, RS-485	
Pin	Description
1	CHB-
2	CHA-
3	CHB+
4	CHA+
5	+5V output
6	GND
7	
8	SHIELD

To operate in RS-485 pins 1-2 and 3-4 must be connected externally.

The communication cable must be chosen for the type of device being connected.

## 5.2 Ethernet Port

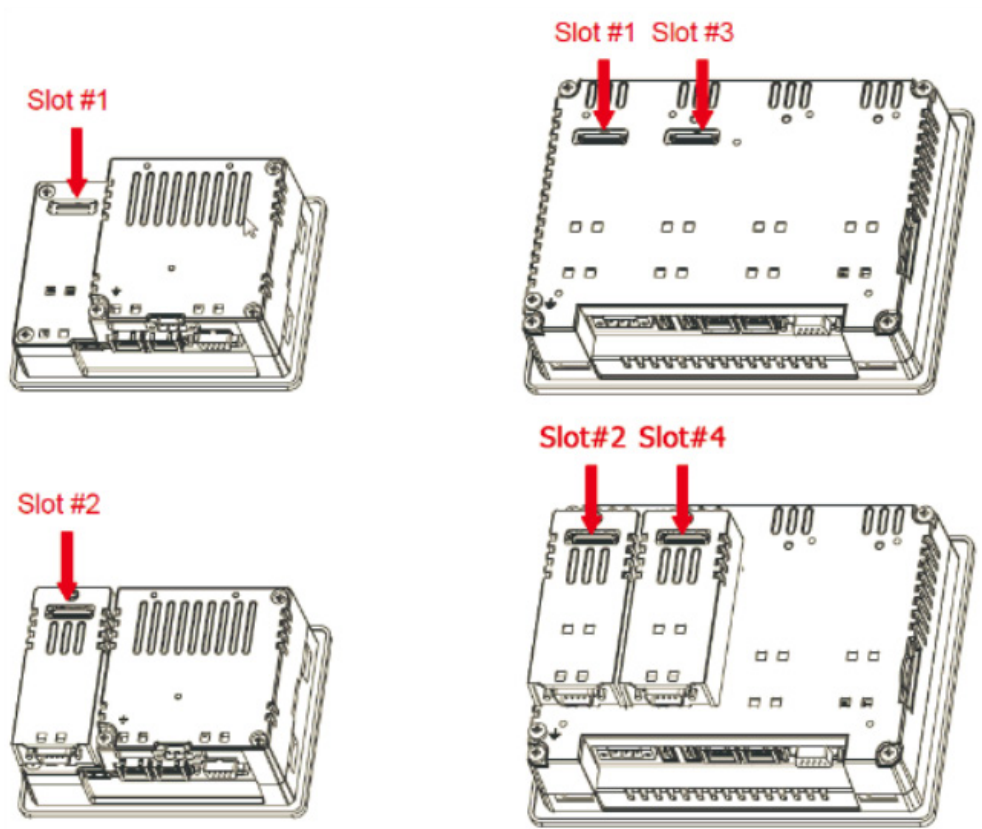
The Ethernet port have two status indicators. Please see description in figure.



# 5 Connections

## 5.3 Optional plugin module

eX Series 700 panels have several optional plugin module, multiple modules configurations are possible.



Slot#2 and Slot#4 are available only if plugin module has the “bus extension connector”.

Each slot carries three communication channels:

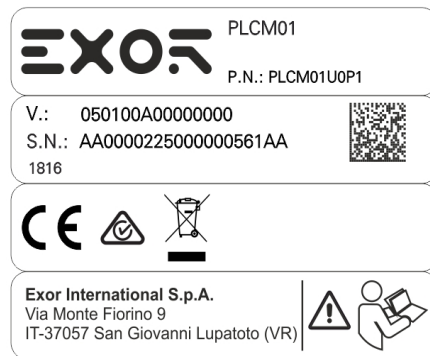
- 1 serial interface
- 1 CAN interface
- 1 SPI interface
- 1 2G/3G interface

Note: It is not possible to stack two modules that are using the same type of interface.

## 5 Connections

### 5.4 Optional plugin module identification

Note: the PLCM01 label is used as an example for PLCM01, PLCM05, PLCM09X, PLIO03



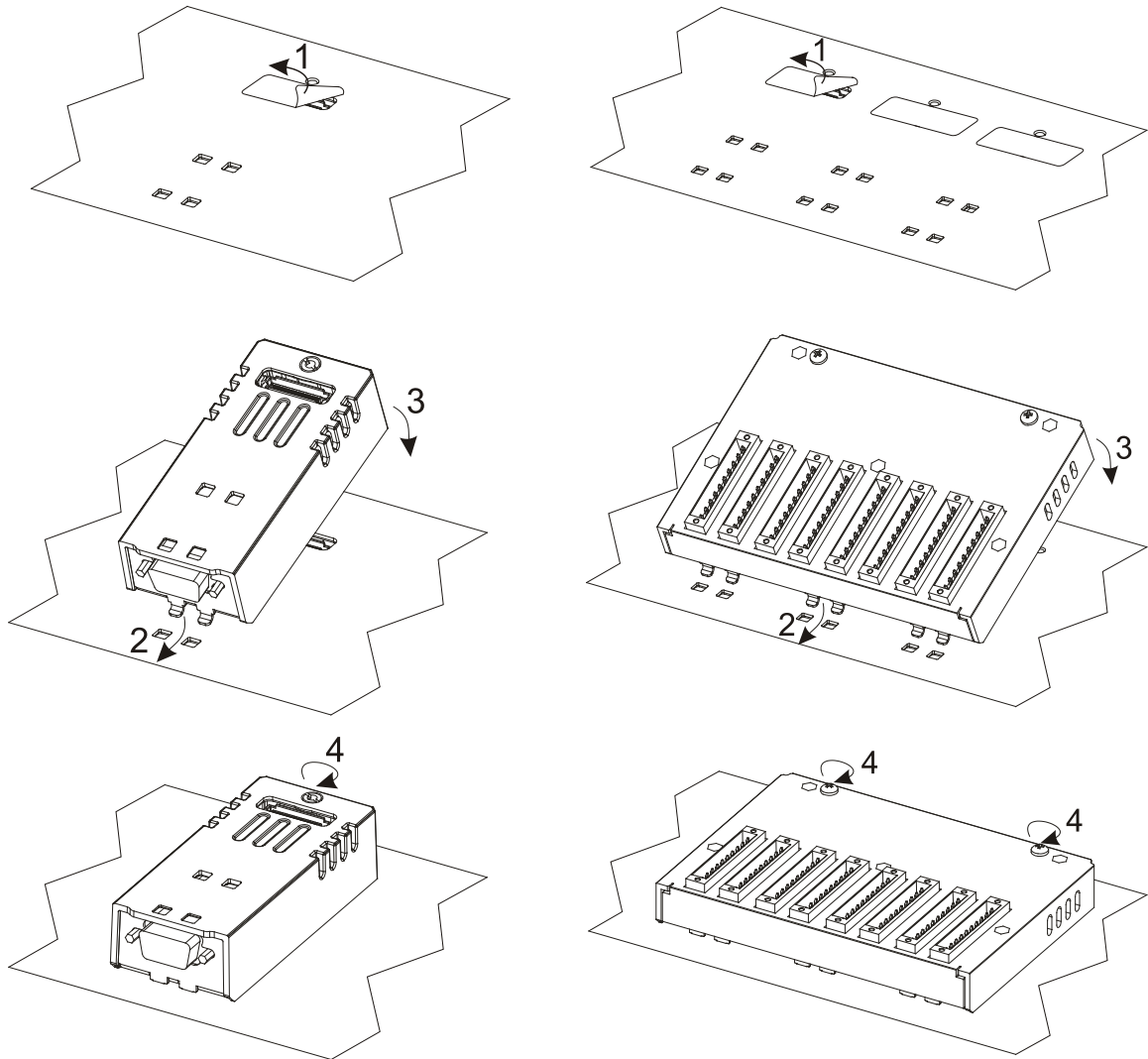
product model name	PLCM01
product part number	PLCM01U0P1
year/week of production	1816
serial number	AA0000225000000561AA
version id of the product	050100A000000000
manufacturer address	Exor International S.p.A. Via Monte Fiorino 9 IT-37057 San Giovanni Lupatoto (VR)

# 5 Connections

## 5.5 Optional plugin module installation procedure

PLCM

PLIO03



## 5 Connections

Below you can find relation between modules ATEX and IECEx certified and max number of modules that can be used into eX700 serie panels, based on their Interface Type:

Module	Application	Max Modules	Interface Type	Bus Extension connector
PLCM01	CAN	1 for eX705 2 for other panels	CAN	Y
PLCM01-NE	CAN	1 for eX705 2 for other panels	CAN	N
PLCM05	CODESYS License	1		Y
PLCM09X	3G modem	1		Y
PLIO03	Multifunction I/O	1	SPI	N

PLCM01 / PLCM01-NE: Operating temperature -20°C to 60°C  
 PLCM05: Operating temperature -20°C to 60°C  
 PLCM09X: Operating temperature -20°C to 60°C  
 PLIO03: with part number PLIO03xxxxY where:  
 - Y≤2 is operating temperature range  $0^{\circ}\text{C} \leq T_{\text{amb}} \leq +50^{\circ}\text{C}$  with Operating Temperature Code T5 (vertical installation), 12-30VDC  
 - Y>2 is operating temperature range  $-20^{\circ}\text{C} \leq T_{\text{amb}} \leq +60^{\circ}\text{C}$  with Operating Temperature Code T4 (vertical installation), 12-30VDC



Note the above different "Operating Temperature Code" for different part number of PLIO03 module.

PLCM and PLIO03 electrical ratings:

- PLCM01: For electrical rating refers to the host eX700 models.
- PLCM05: For electrical rating refers to the host eX700 models and PLIO03 ratings
- PLCM09X: 2xDigital Inputs voltage 12÷30 Vdc, 3mA; 2xDigital Outputs voltage 12÷30 Vdc, 0.5A
- PLIO03: 20xDigital Inputs voltage 12÷30 Vdc; 12xDigital Outputs voltage 12÷30 Vdc, 0.5A; 4xAnalog inputs 0÷10 Vdc, 4-20mA; 4xAnalog outputs: 0÷10 Vdc, 4-20mA

## 5 Connections

Below you can find relation between modules and max number of modules that can be used into eX series 700 panels, based on their Interface Type:

Module	Application	Max Modules	Interface Type	Bus Extension connector
<b>PLCM02</b>	KNX	1	Serial	N
<b>PLCM03</b>	Serial RS232	2	Serial	Y
<b>PLCM04</b>	Serial RS485	2	Serial	Y
<b>PLCM06</b>	Profibus DP	1	SPI	N
<b>PLCM07</b>	Ethernet	1	Ethernet	N
<b>PLIO06</b>	Compact I/O	2	SPI	N

Max modules refers to max number of modules can be plugged into the HMI (all slots).

If you are planning to use PLCM03 and PLCM04 (additional serial ports) you will obtain following "COM - Slot#" association:

- a module plugged in Slot#1 or into Slot#2 will be COM2,
- a module plugged in Slot#3 or into Slot#4 will be COM3.

If you are planning to use two PLCM01 (CAN interface) you will obtain following Slot# association:

- a module plugged in Slot#1 or into Slot#2 will be the CanPort 0,
- a module plugged in Slot#3 or into Slot#4 will be the CanPort 1.



# 6 Power Supply, Grounding and Shielding

The power supply terminal block is shown in the figure below.

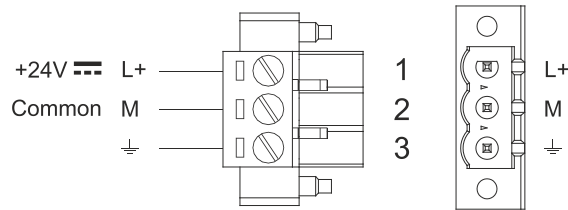


Fig. 6.1

3 conductor 1,5mmq wire size minimum, minimum temperature conductor rating 105°C.

**Note:** Ensure that the power supply has enough power capacity for the operation of the equipment.

The unit must always be grounded to earth with 1,5mmq wire size minimum. Grounding helps limit the effects of noise due to electromagnetic interference on the control system.

Earth connection will have to be done using either the screw or the faston terminal located near the power supply terminal block. A label helps identify the ground connection. Also connect to ground the terminal 3 on the power supply terminal block.

The power supply circuit may be floating or grounded. In the latter case, connect to ground the power source common as shown in figure (see below) with a dashed line.

When using the floating power scheme, note that the panes internally connects the power common to ground with a 1MΩ resistor in parallel with a 4,7nF capacitor.

The power supply must have double or reinforced insulation.

The suggested wiring for the power supply is shown below.

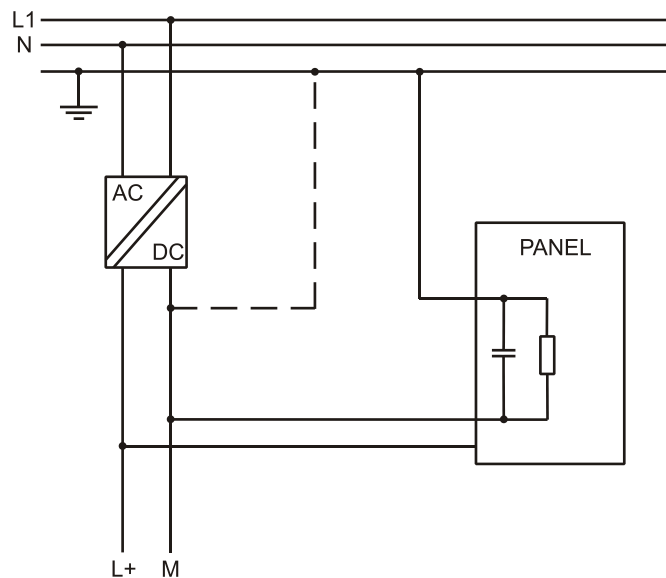


Fig. 6.2

All the electronic devices in the control system must be properly grounded. Grounding must be performed according to applicable regulations.

# 7 Battery

These devices are equipped with rechargeable Lithium battery, not user-replaceable.  
 The following information is maintained by the battery:

- hardware real-time clock (date and time)

**Charge:**

At first installation must be charged for 48 hours.

When the battery is fully charged, it ensures a period of 3 months of data back-up at 25°C.

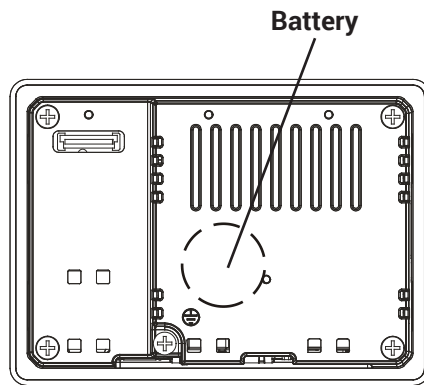


Fig. 7.1: eX705

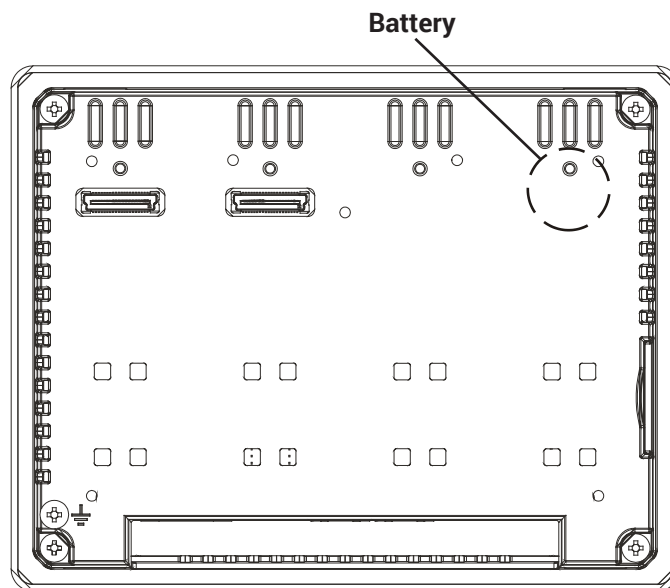



Fig. 7.2: eX707, eX710, eX712, eX715, eX721

**! ATTENTION**  
 Dispose of batteries according to local regulations.

**! ATTENTION**  
 This device cannot be disposed of as a domestic waste but according to WEEE European Directive 2012/19/EU



## 8 Special Instruction for Use

- The equipment shall only be used in an area of not more than pollution degree 2, as defined in IEC/EN 60664-1.
- The equipment shall be installed in an enclosure that provides a degree of protection not less than IP 54 in accordance with IEC/EN 60079-15.
- Transient protection shall be provided that is set at a level not exceeding 140 % of the peak rated voltage value at the supply terminals to the equipment.
- Install the HMI device according to the accompanying installation instructions.
- Ground the HMI device according to the accompanying installation instructions.
- Only qualified personnel may install the HMI device or repair it.
- Ensure that the aeration holes are not covered.
- Care shall be taken not to allow layers of dust to form on the graphic panel in a way that might cause the accumulation of static charges. Keep the faceplate of the HMI device clean: the equipment must be cleaned only with a soft cloth and neutral soap product. Do not use solvents.
- This device should not be used for purposes and methods other than indicated in this document and in the documentation accompanying the product.

## 9 Getting Started

eX Series 700 HMI products delivery configuration is based on a loader. Use the services of the loader to install applications on the device such as JMobile runtime or browsers.

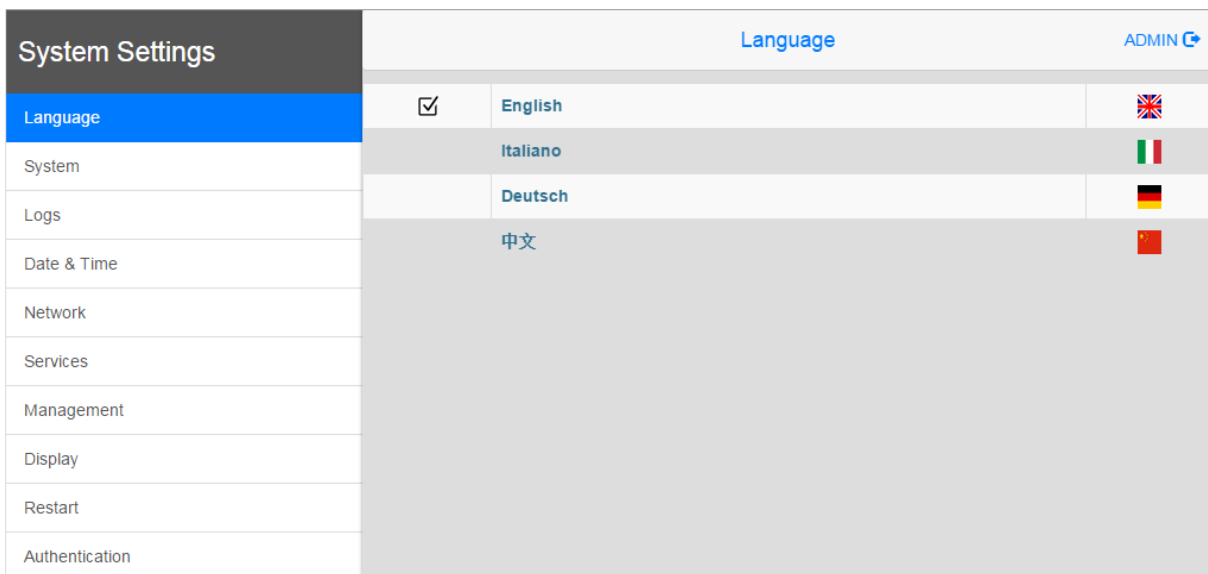
JMobile Studio version V2.6 or higher is required. JMobile Studio is a software tool that must be properly installed on a computer running Microsoft Windows.

There are two options to transfer a JMobile application project to a HMI device:

- |          |   |
|----------|---|
| Ethernet | Connect the HMI device to the computer with an Ethernet network. In JMobile Studio select the command Run/Download to target. You may have to ensure that the proper firewall policy has been configured in the computer to allow JMobile Studio to access the network. |
| USB      | Create an Update Package using JMobile Studio and copy it to a USB Flash drive.   |

# 10 System Settings

eX Series 700 HMI products have a system settings interface to allow configuration of system options. The user interface of System Settings is based on HTML pages accessible from the HMI screen or remotely using a Web browser Chrome v44 or higher using port 443. To connect enter the address `https://IP/machine_config` where IP is the IP address of the HMI device. Default username is "admin", default password is "admin". Use navigation menu on the left side of the screen to browse through the available options.



The active item of menu is highlighted on the left side of the screen. The right side shows related information and settings. Depending on the size of the HMI screen, both menu and content of selected item may be shown on screen at the same time or not.

System Settings has two modes of operation:

- User Mode** JMobile runtime is running or the HMI device is in "factory default" status.
- System Mode** JMobile runtime is not running or the HMI device has a software failure. System Mode includes all options available in User Mode and additionally includes commands dedicated to system upgrade and recovery not available when running in User Mode.

Activation of System Settings in **User Mode**:

- Factory default status Press "System Setting" button on the HMI screen
- JMobile runtime running Recall context menu and select "System Settings". To recall the context menu click and hold any unused area of the touchscreen for a few seconds. Default hold time is 2 seconds.

# 10 System Settings

Activation of Systems Settings in **System Mode**:

Normal operation	<p>If JMobile runtime is not running: Press "System Setting" button on the device screen to recall System Settings in User Mode. Select "Restart" -&gt; "Config OS" to reboot in System Mode.</p> <p>If JMobile runtime is running: recall context menu and select "System Settings". To recall the context menu click and hold any unused area of the touchscreen for a few seconds. Default hold time is 2 seconds to enter in System Settings in User Mode. Select "Restart" -&gt; "Config OS" to reboot in System Mode.</p>
Recovery operation	<p>If device is not responsive, use the so-called "tap-tap" procedure. This procedure consists in tapping the surface of the touchscreen during the device power-up phase. Tapping frequency must be high. You have to start tapping the touchscreen as soon as power has been applied to the device. When the sequence has been recognized, the system shows the message: "TAP-TAP DETECTED". At this point release touch to boot in User Mode without running JMobile runtime or press and hold few seconds (selecting so "RESTART: CONFIG OS") to boot in System Mode.</p>

**System Settings** includes options for basic settings of the device:

<b>Language System</b>	<p>Configure language used for System Setting menu only.</p> <p>Show information about platform, status and timers (like System on time, backlight on time).</p>
<b>Logs Date &amp; Time</b>	<p>Enable persistent log for BSP and allows exporting it.</p> <p>Change the device date and time, including time zone and NTP Server</p>
<b>Network</b>	<p>Configure IP Address of Ethernet interface and the other network settings like DNS, Gateway, DHCP, Hostname, routing and bridging.</p>
<b>Services</b>	<p>Enable/disable services. Examples of services are: OpenSSH server, Bridge, Cloud, Router, SNMP and logging.</p>
<b>Management</b>	<p>Update of BSP components (Main OS, Config OS, Boot loader, XLoader), check for partitions consistence, update of splash screen, information about usage and size of partitions. The update of Main OS is available only in System Mode, the update of Config OS is only in User Mode.</p>
<b>Display</b>	<p>Adjust display brightness, configure automatic backlight turnoff and select HMI orientation (90°, 180°, 270° and 360°).</p>
<b>Restart</b>	<p>Restart the device. "Main OS" option restarts the device in User Mode, "Config OS" option restarts the device in System Mode showing System Settings.</p>
<b>Authentication</b>	<p>Configure password for administrator ("admin") and for the standard user ("user"). Administrator has full access to System Settings (updates of BSP and other system components). Standard user has some limitations.</p>

**Note:** *Additional informations on System Settings are available in dedicated manual.*

# 11 Unpacking and Packing Instructions

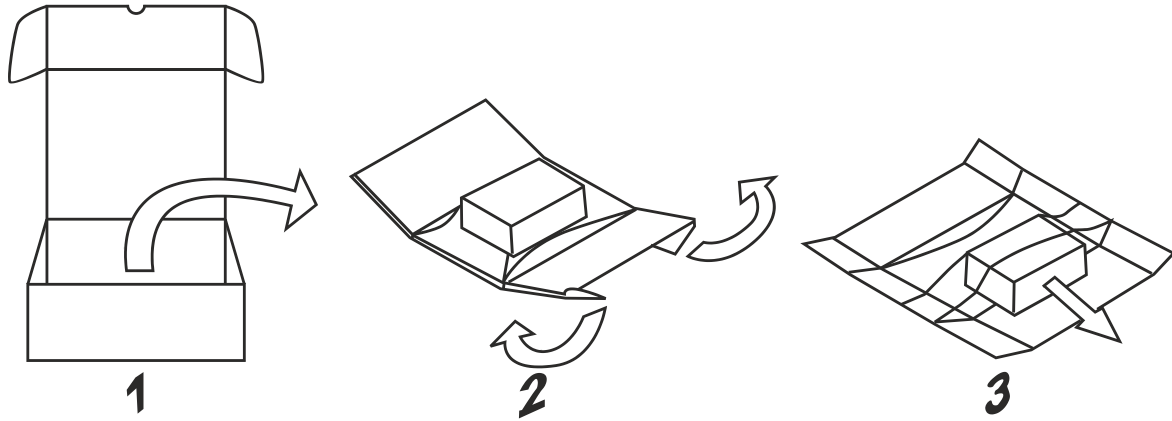


Fig. 11.1: eX705, eX707, eX710, eX712

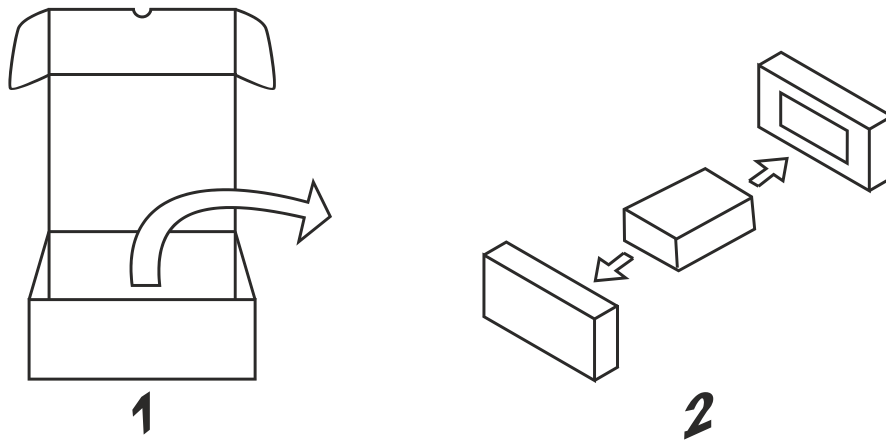


Fig. 11.2: eX715, eX721

To repack the unit, please follow the instructions backwards.