

▶▶▶ CAN Protocol Communication

The CAN plug-in module expands the communication capabilities of select devices by seamlessly integrating with CAN protocol networks.

Red Lion's CAN communications module provides easy integration for select Red Lion products with CAN protocol networks, allowing for translation between more than 300 different protocols and connected CAN based devices.



APPLICATIONS

- > Automotive
- > Food & Beverage
- > Factory Automation
- > OEM Machine Builders
- > Water/Wastewater

PRODUCT HIGHLIGHTS

- > Seamless CAN network integration
- > Communicate with over 300 industrial protocols

FEATURES & BENEFITS

- > CAN protocol conversion
 - Easily integrates select Red Lion devices into CAN protocol networks
 - Converts between CAN and more than 300 different protocols
- > All-in-one solution
 - Removes need for external devices and communication gateways
 - Cost-effectively saves space, and time
- > -10 to 50 °C operating temperature
 - Reliably works in harsh environments
- > Powered from host device
 - Simplifies deployment by eliminating external power requirement
- > Easily programmed
 - Seamless configuration using Red Lion's Crimson desktop software

▶▶▶ CAN Protocol Communication Module Specifications

POWER

CAN Max Power: 1.2 W (supplied by host device)

COMMUNICATION PROPERTIES

CAN Protocol Port:

Software programmable up to 1 Mbaud and digitally isolated

124 ohm, 1 W termination provided through switch

Port may be configured for various CAN protocols

Isolation from host

1000 VDC for 1 minute

CERTIFICATIONS AND COMPLIANCES

CE Approved

EN 61326-1 for Industrial Locations

IEC/EN 61010-1

RoHS Compliant

ENVIRONMENTAL

Operating Temperature Range: -10 to 50 °C

Storage Temperature Range: -40 to 85 °C

Operating and Storage Humidity: 85 % max relative humidity,
non-condensing

Altitude: Up to 2000 meters

COMPATIBLE HOST DEVICES

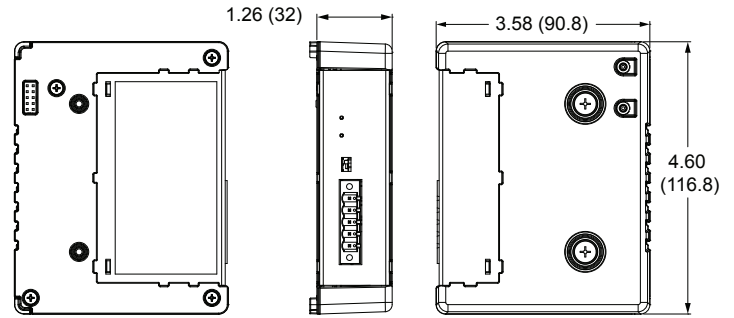
CR3000 HMIs

DA30D High Performance Data Station

ORDERING GUIDE

PART NUMBER	DESCRIPTION
CRM000CMCAN00000	CAN Protocol Communication Module

DIMENSIONS *In inches (mm)*



www.redlion.net

Connect. Monitor. Control.

Americas
sales@redlion.net

Asia-Pacific
asia@redlion.net

**Europe
Middle East
Africa**
europe@redlion.net

+1 (717) 767-6511

As the global experts in communication, monitoring and control for industrial automation and networking, Red Lion has been delivering innovative solutions for over forty years. Our automation, Ethernet and cellular M2M technology enables companies worldwide to gain real-time data visibility that drives productivity. Product brands include Red Lion, N-Tron and Sixnet. With headquarters in York, Pennsylvania, the company has offices across the Americas, Asia-Pacific and Europe. Red Lion is part of Spectris plc, the productivity-enhancing instrumentation and controls company. For more information, please visit www.redlion.net.

ADLD0479 1 10718 © 2018 Red Lion Controls, Inc. All rights reserved. Red Lion, the Red Lion logo, N-Tron and Sixnet are registered trademarks of Red Lion Controls, Inc. All other company and product names are trademarks of their respective owners.