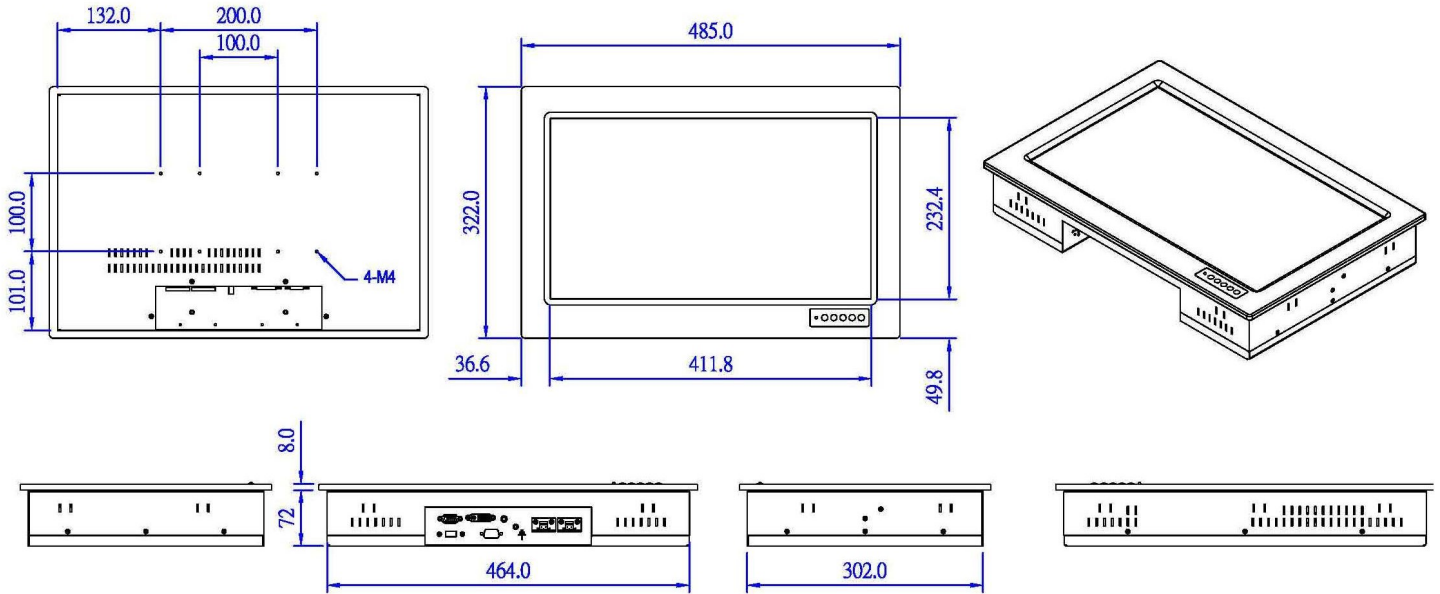


AMON-185T-AL (-8N)

18.5" Rugged Industrial LCD Monitor, 1920 x 1080 FHD, (800 Nits), VGA, DVI



Technical Specifications

LCD Display Grade

LCD Size	18.5" Active Matrix TFT LCD
Resolution	1920 x 1080 Full HD resolution
Aspect Ratio	16 : 9 wide screen
Luminance, Standard	350 cd/m2
Contrast Ratio	1000 : 1
Upgrade Luminance	800 cd/m2 sunlight readable
Color Depth	16.7M high colors
Operate Temperature	0 up to +50°C
Storage Temperature	-20 up to +70°C
View Angle	89(L) / 89(R) / 89(U) / 89(D) degree
Backlight life	50,000 Hours at 25°C ambient temperature

IP-65 Rate

Front Side	IP-65 Water-proof on front side
Other Sides	IP-22 on other sides

Environmental

Operating Temp.	0~60 deg. C
Storage Temp.	-20~80 deg. C.
Shock	Meet MIL-STD-810F standard
Vibration	Meet MIL-STD-810F standard
CE, FCC, RoHS	Meet CE, RoHS compliant
Marine Approval	Meet DNV GL and IEC60945

Protection Glass or Touch Screen

Protection Glass	Protection glass to protect the LCD display
------------------	---

I/O Interface

VGA	VGA, D-sub 15-pin
DVI	DVI x 1
Touch - RS232	Optional.
Touch - USB	Default USB interface
Optional	Option: HDMI or BNC at extra cost

Mechanical

Front Bezel	18.5" Aluminum Bezel
Construction	Rugged stainless steel construction
Standard Color	Black color

Mounting Method

Wall-Mount	Support VESA-100, 200x100 wall mounting
Mounting Kit	Mounting Kit is available at extra cost

OSD Control Buttons

OSD Buttons	On-Off switch, Menu, Brightness Up and Down, Auto
Dimming Range	Option: Dimming range from 100% down to 0%

DC or AC Power

DC Power Source	Support DC 9 to 32 V Power Source
AC Power Source	External AC-DC adapter 90 to 264 VAC to 12VDC
Safety Approval	Power adapter is UL, cUL, TMV approved
CE, FCC, RoHS	CE, RoHS Compliant
Redundant input	Terminals for 2 external DC supply

Power Consumption

Power Consumption	Around 35 Watts
Stand-By	2 Watts stand-by
Working	45 Watts in working

Ordering Information

AMON-84T-AL	8.4" Rugged Industrial LCD Monitor (800x600)
AMON-104T-AL	10.4" Rugged Industrial LCD Monitor (1024x768)
AMON-116T-AL	11.6" Rugged Industrial LCD Monitor (1366x768)
AMON-120T-AL	12" Rugged Industrial LCD Monitor (1024x768)
AMON-150T-AL	15" Rugged Industrial LCD Monitor(1024x768)
AMON-156-AL	15.6" Rugged Industrial LCD Monitor, (1920x1080)
AMON-170T-AL	17" Rugged Industrial LCD Monitor (1280x1024)
AMON-185T-AL	18.5" Rugged Industrial LCD Monitor (1920x1080)
AMON-190T-AL	19" Rugged Industrial LCD Monitor (1280x1024)
AMON-220T-AL	22" Rugged Industrial LCD Monitor, (1920x1080)
AMON-240-AL	24" Rugged Industrial LCD Monitor, (1920x1080)