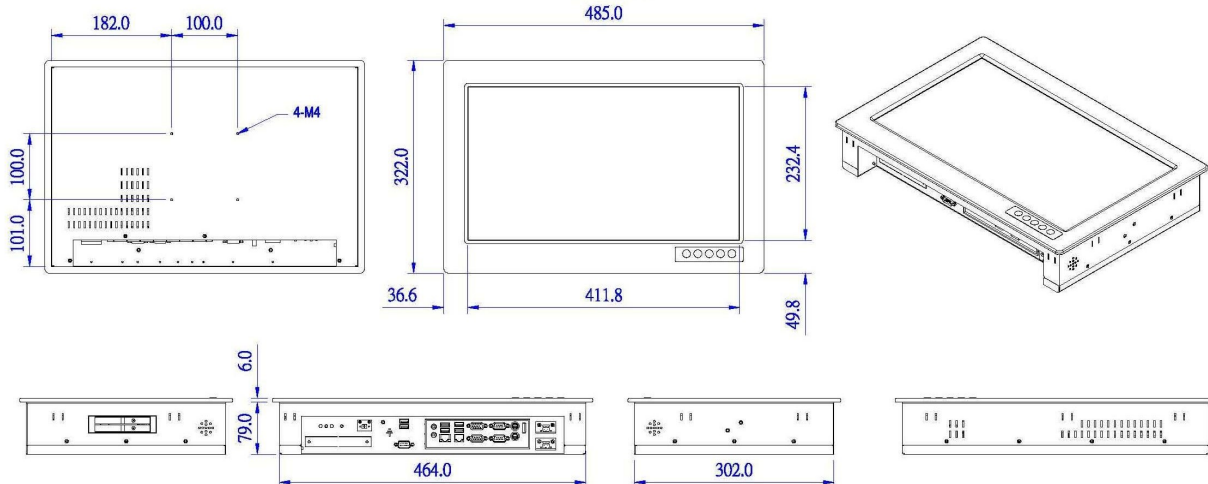


# APPC-18529T (8N)

18.5" DNV-Approved Rugged Panel PC, Quad Core, 2.16G, Touch, VGA, HDMI, Dual Gb LAN, 4 COM, 4 USB, PS2 KB / Mouse, Speakers, PCIe



## Technical Specifications

### LCD Display Grade

LCD Size	18.5" Active Matrix TFT LCD
Resolution	1366 x 768 or FHD resolution (at extra cost)
Aspect Ratio	16 : 9 ratio
Luminance	350 cd/m2 (option : 600~800nits & dimmable)
View angel	89/89/89/89 (left/right/Up/Down)
Color Depth	16.7M colors
Contrast Ratio	1000 : 1 (typical)
Backlight life	40,000 Hours at 25°C ambient temperature

### Touch Screen

Touch Screen	18.5" 5-Wire Resistive Single Touch
Resolution	4096 x 4096 ultra-high resolution

### Military-grade High-end Mainboard

CPU	Intel® N2930 fanless Quad Core 2.16GHz CPU
System Memory	4GB (Option : 8GB) DDR3 RAM memory
HDD or SSD	120GB Intel S3510 (or S3520) SSD

### 2D / 3D Video

Graphics Chip	Intel® Gen7 (HD Graphics) Supports DX11, OGL3.2
---------------	---

### I/O Interface

VGA / RGB Port	1x15-Pin female D-Sub, 1920x1200
HDMI Port	1x1.3a, max. resolution 1920x1200
Multi Display	Yes, Dual
COM (Serial)	3xRS232/485/422, 1 x RS232
USB Port	2xUSB3.0, 2xUSB2.0
2 x PS2 Ports	Keyboard and Mouse
Audio In-Out Port	Audio-in and Audio-out Ports
Speakers	Built-in 2 loud speakers
Optional ports	CAN-BUS / Isolated RS422/485

### Expansion Slot

PCIe Slot	1
Mini PCI-e slot	1 (for CAN-BUS or Wireless LAN, etc.)
SATA Slot	2 x SATA slot for second storage device

### Mechanical

Front Bezel	Solid Aluminum Front Bezel
Construction	Heavy-duty rugged steel construction
Standard Color	Black color

### Mounting Method

Rear Mount	VESA-75x75
Panel mount	Yes, with quick mounting kits
Marine Compass	Standard dist. 95 cm, Steering 60 cm

### IP-65 Rating

Front Side	IP-65 Water-proof at the front side
Back / Bottom	IP-22
6-Side Water-Proof	Option

### Power Adapter

AC Power Source	External AC-DC adapter from 90 up to 264V
DC Power Source	Support DC 9~32V Power source
Safety Approval	Power adapter is UL, cUL, TUV Approval
Redundant input	Terminal for 2 external DC supply (9-32VDC)

### Environmental

Op. Temperature	DNVGL-CG-0339 & IEC 60945
Storage Temperature	DNVGL-CG-0339 & IEC 60945
Shock	Designed to meet MIL-STD-810F
Vibration	Designed to meet MIL-STD-810F
CE / RoHS	Meet CE / RoHS standard
Marine Approval	DNVGL-CG-0339 and IEC60945 (2016)

### Ordering Information

APPC-8429T	8.4" PPC, Quad Core up to 2.16G (4:3 800x600)
APPC-1049T	10.4" PPC, Quad Core up to 2.16G (4:3 800x600 or XGA)
APPC-11629T	11.6" PPC, Quad Core up to 2.16G (16:9 1366x768)
APPC-1229T	12" PPC, Quad Core up to 2.16G (4:3 800x600 or XGA)
APPC-1529T	15" PPC, Quad Core up to 2.16G. (4:3 1024x768)
APPC-15629T	15.6" PPC, Quad Core up to 2.16G (16:9 1920x1080)
APPC-1729T	17" PPC, Quad Core up to 2.16G (4:3 1280x1024)
APPC-1929T	19" PPC, Quad Core up to 2.16G (4:3 1280x1024)
APPC-2229T	22" PPC, Quad Core up to 2.16G. (16:9 1920x1080)
APPC-2429T	23.6" PPC, Quad Core up to 2.16G. (16:9 1920x1080)