

VIO-219

19" SXGA Resistive / Capacitive Touch Thin Frame Display Module with 2x 10W Speaker

FEATURES

- 19" TFT XGA 4:3 LCD with Resistive 5-wire / Capacitive Touch
- -10°C to 50°C extended operating temperature
- Designed with Aluminum Die-Casting Front Frame
- IP65 Compliant Front Panel
- Two 10W Internal Speakers Built-in
- Multi-language OSD built-in



SPECIFICATIONS

DISPLAY

LCD Size	19" (4:3)
Max. Resolution	1280 x 1024 (SXGA)
Brightness (cd/m ²)	350
Contrast Ratio	1000:1
LCD Color	16.7M
Pixel Pitch (mm)	0.294 (H) x 0.294 (V)
Viewing Angle (H-V)	170 / 160
Backlight MTBF	50000 hrs (LED Backlight)
TOUCH	
Resistive 5-wire	VIO-219R Only
Projected Capacitive	VIO-219C Only
I/O	
Internal Speaker	AMP 10W + 10W

OSD	LCD On/Off, Auto, Menu, Up and Down Multi-language
-----	--

ENVIRONMENT

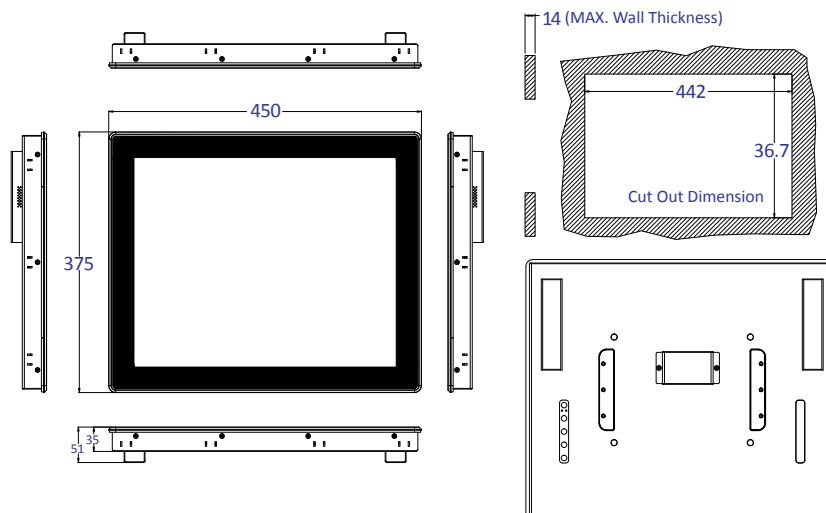
Operating Temp.	-10°C to 50°C
Storage Temp.	-20°C to 60°C
Relative Humidity	10%~80% (non-condensing)
IP Level	IP 65 Compliant Front Panel

PHYSICAL

Front Panel Construction	Die-cast Flat Surface
Dimension	450 (W) x 375 (D) x 51 (H)mm
Weight	VIO-219R: 6.20 kg VIO-219C: 6.07 kg
Mounting	VESA Mounting Holes 75 x 75mm, 100 x 100mm

DIMENSION

Unit: mm



AVAILABLE MODELS

MODEL NO.	DESCRIPTION
VIO-219R	19" SXGA Resistive Touch Thin Frame Display Module with 2x 10W Speaker
VIO-219C	19" SXGA Capacitive Touch Thin Frame Display Module with 2x 10W Speaker

PACKING LIST

- 1x VIO-219 Series Display Module
- 14x Panel Mount Kit