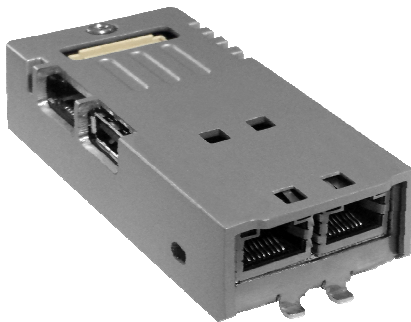


PLCM07 Secure Cloud Connector

PLCM07 Secure Cloud Connector is a plug-in module that creates a secure VPN router for use with the JMcloud connectivity architecture. The product is compatible with Series 500 and Series 600 HMI products.



- Includes openVPN/SSL software
- Firewall-friendly connections
- Dual Ethernet ports (WAN/LAN)
- Easy module update with USB and SD interfaces

Highlights

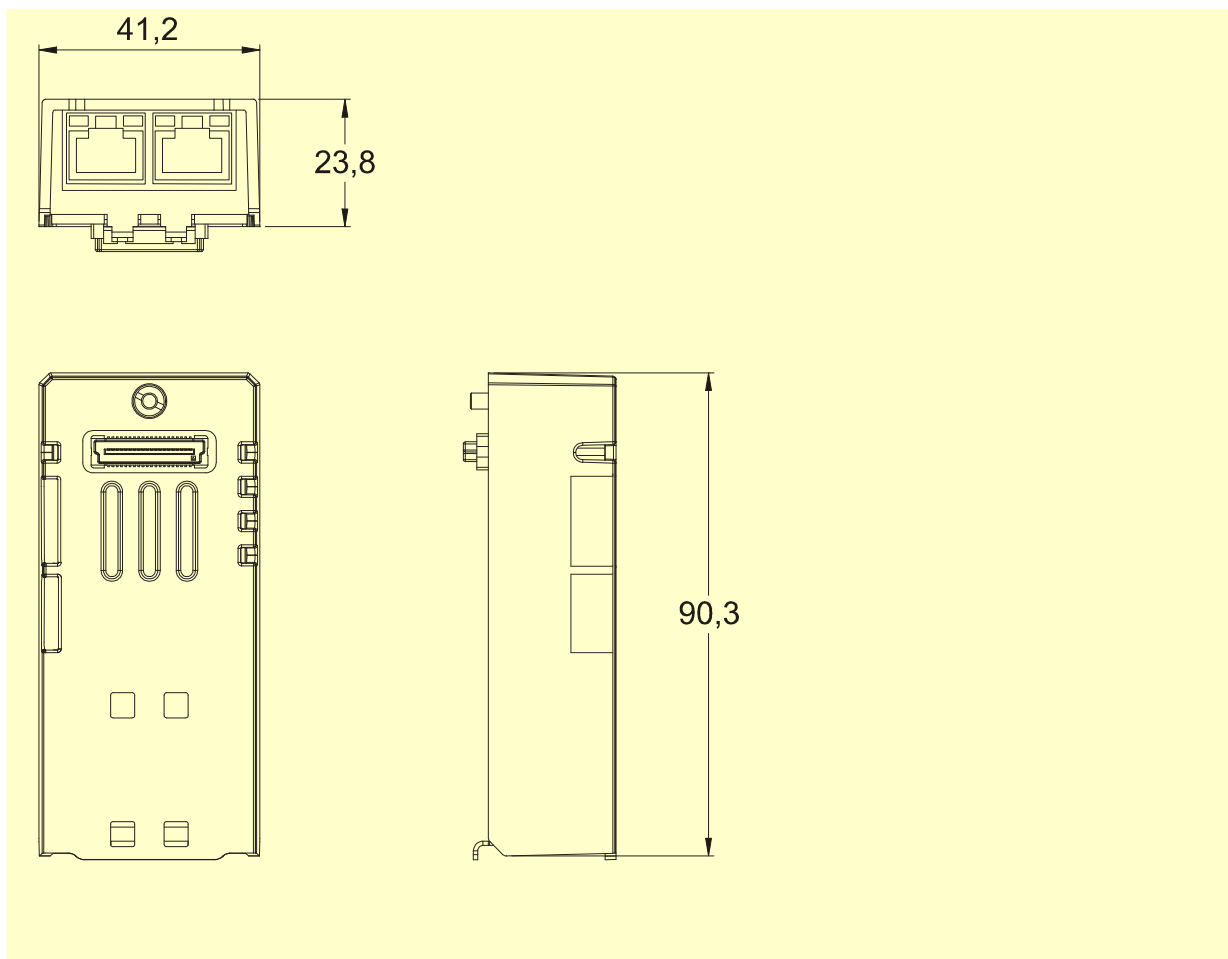
The PLCM07 Secure Cloud Connector is low cost solution designed for remote assistance and data acquisition for the Series 500 and Series 600 HMI products

- Secure connection for industrial remote connectivity
- Based on JMcloud Switchboard Server using secure connection based on OpenVPN/SSL
- Routing for direct access to remote sub-networks (i.e. PLC communications)
- Remote desktop for diagnostic of HMI applications
- Integration with JMobile Studio for remote update of OS, JM Runtime and applications
- Integration with JM4Web for remote web access
- Support virtual serial communication (pending)
- Communication support for programming remote PLC (Ethernet/serial)
- Compatible with main PLC brands
- Simple management of users/groups and devices/groups with JMcloud Connect software

Technical Data

System Resources		Protection class	IP20
CPU	ARM Cortex A8 1 GHz	Approvals	Emission EN 61000-6-4 Immunity EN 61000-6-2 for installation in industrial environments
Operating System	Linux 3.12		
RAM	512 MB		
Flash	4 GB	CE	
Interfaces			
Ethernet	2x 10/100 Mbit		
USB	1x Host (V2.0, max. 500 mA)		
Memory Card	microSD card slot		
Environmental Conditions			
Operating temperature	-20° to +60°C		
Storage temperature	-20° to +70°C		
Operating and storage humidity	5 – 85 % relative humidity, non-condensing		

Dimensions



Ordering Information

Model	Part Number	Description
PLCM07	+PLCM07U0P1	Router Plug-in – Secure Cloud Connector

ptn0542

Ver. 1.0

Copyright © 2015 EXOR International S.p.A. – Verona, Italy

Subject to change without notice

The information contained in this document is provided for informational purposes only. While efforts were made to verify the accuracy of the information contained in this documentation, it is provided “as is” without warranty of any kind.

www.exorint.net