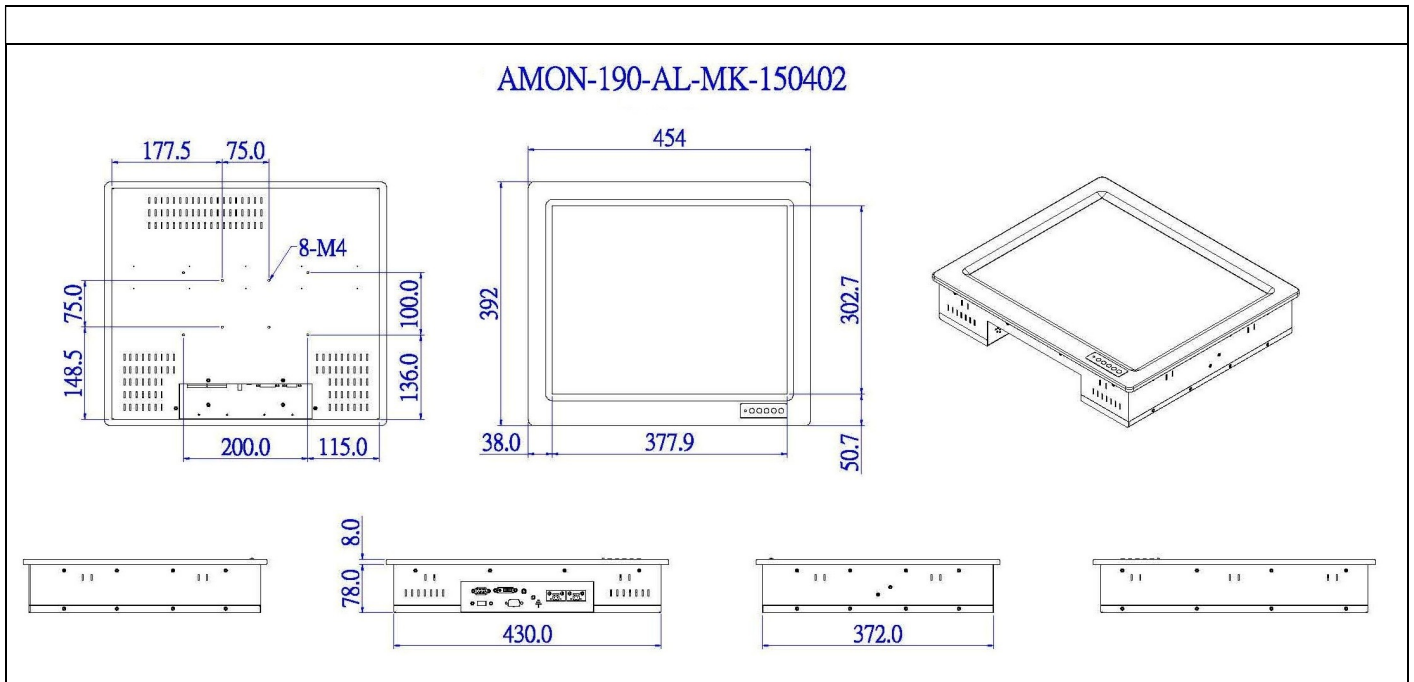


AMON-190T

19" industrial LCD Monitor with Aluminum front bezel, IP-65, 66, Touch screen, VGA , audio port,
1280 x 1024 resolution, 300 cd/m2, 16.77 million true colors, VESA-75, 9~32V DC input, AC-DC power adapter



LCD Display size

19" TFT LCD, 1280 x 1024 resolution, 16.77 million colors

Luminance and Contrast

300 cd/m2 high brightness and 1000 : 1 contrast ratio.
Optional : 800~1000 cd/m2, 0~100% dimming

Wide View Angle :

Left and right : 140 degree; Up and down : 130

MTFB Life of lamp tubes :

50,000 hours

Front Bezel

Front mountable, 8mm thick solid aluminum bezel supporting 100% water-proof at front face.

IP Protection

Compliant to IP-65 from front and IP 22 from rear.

Chassis and Housing :

Rugged steel construction chassis and enclosure.

Panel-mount and Wall-mount standard :

Support Panel mounting and VESA-75 wall-mounting standard.

Touch Screen :

Long life 5-wire analog resistive touch screen,
4096 x 4096 resolution, anti-glare treatment.

OSD control buttons :

On-Screen-Display buttons and Power switch button are located at the front side. This OSD buttons can control screen position Up, Down, Left, Right, Brightness, Contrast ratio, menu, power switch.

Interface

Support VGA, DVI-D, and Touch interfaces (USB).

Anti-vibration and anti-shock design

Meet industrial-grade anti-shock and anti-vibration standards.

Operational Temperature :

0 ~ 50 degrees C

Storage Temperature :

-20 ~ 60 degrees C

Power input :

Redundant 9 to 36VDC

Power Adapter :

Universal 100 – 240V AC to 12VDC power adapter.