

Managed Industrial Ethernet Switches

The SLX-5MS and SLX-8MS are 5 and 8 port industrial Ethernet managed switches that are designed to be rugged, reliable, real-time and secure. They combine compact DIN rail packaging, protected circuitry and powerful software to keep your system going even in the toughest conditions.

PRODUCT HIGHLIGHTS

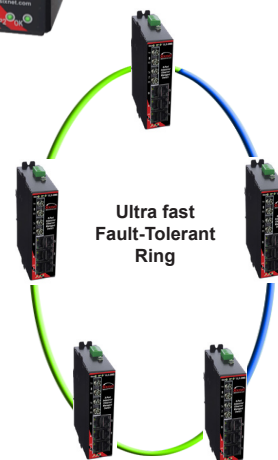
- 5 or 8 port industrial Ethernet managed switch with up to 4 fiber optic ports (multimode or singlemode)
- Slim packaging fits on your din rail
- High performance and value
- Truly industrial hardened design
- Advanced features and security

REAL-TIME SECURE PERFORMANCE

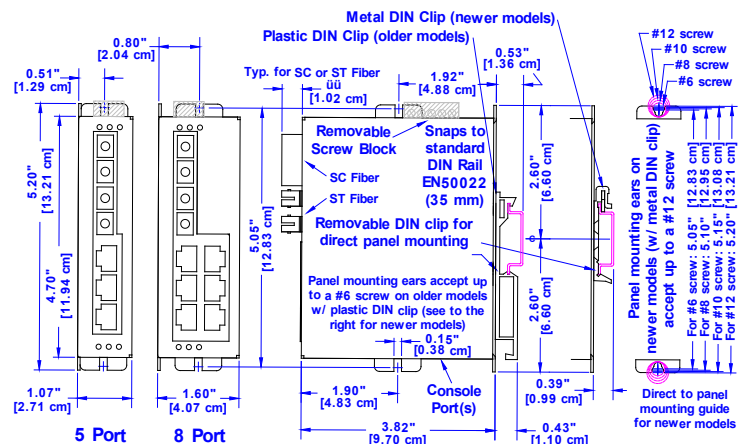
- Real-Time-Ring™ or Rapid Spanning Tree (RSTP) for fast redundant ring or mesh networks
- SNMPv1 and v2 network management
- SNMPv3 authentication & encryption for security
- SNMP notifications (traps) for report on event
- Priority Queuing (QoS/CoS) for real-time operation
- IGMP for Multicast filtering (snooping & querying)
- VLAN for convenient traffic segregation
- Broadcast & multicast storm protection
- RMON & port mirroring for advanced diagnostics
- Security with HTTPS, SSL, SSH, SNMPv3 & more
- Easy configuration via Web, Telnet or CLI
- Free field-installable firmware upgrades forever

TROUBLE FREE OPERATION

- UL CSA (CUL), CE, Hazardous Locations (Zone 2) and Maritime rated
- -40 to 75°C operating temperature (SLX models)
- Dual (redundant) power inputs with spike protection
- Self-test and alarm output contact
- Rugged corrosion-resistant metal packaging
- DIN rail or direct panel mounting in multiple positions
- Ultra-reliable >2 million hours MTBF
- Standard 5 year industrial warranty



MECHANICAL DRAWING



▶▶▶ SLX-5MS & SLX-8MS Industrial Ethernet Switch Specifications

ETHERNET PERFORMANCE

- 5 or 8 Ethernet ports with up to 4 fiber
- Ethernet switch type managed
- Store and forward wire speed switching
- Ethernet protocols supported all IEEE 802.3
- RJ45 ports (shielded) 10/100BaseTX
- RJ45 speed (10M or 100M) auto-negotiation
- RJ45 MDI/MDIX auto-crossover
- RJ45 TD and RD polarity auto-polarity
- Fiber optic port speed 100BaseFX (100 Mbps)
- Fiber optic port wavelength 1300 nm center
- Fiber multimode (mm) typ. 50 or 62.5/125 um (SC or ST)
- Fiber singlemode (sm) typ. 9 or 10 /125 um (SC or ST)
- Fiber max. distance (full duplex) up to 120km
- See separate datasheet for fiber transceiver details
- Typical latency (varies on load & settings):
 - 10M ports 16 us + frame time
 - 100M ports 5 us + frame time
- Full or half duplex operation configurable
- MAC addresses supported 2048
- Memory bandwidth 3.2 Gbps
- Ethernet isolation 1500 VRMS 1 minute

ETHERNET COMPLIANCE

- IEEE 802.3 (10Mbps Ethernet supports legacy devices)
- IEEE 802.3u (Fast Ethernet 100Mbps for newer devices)
- IEEE 802.3x (Full-Duplex with Flow Control)
- IEEE 802.1D/w (Rapid Spanning Tree for redundant rings and Spanning Tree for interoperability)
- IEEE 802.1p (Priority Queuing – QoS, CoS, ToS/DS)
- IEEE 802.1Q (VLAN for traffic segregation)

“OK” OUTPUT

- Indicates power and operational status
- Voltage same as switch input voltage
- Maximum current output 0.5 Amp

POWER INPUT

- Input power (typical - all ports active at 100 Mbps) (Max. 7 W)
 - 3.6 W (5-port without fiber)
 - 4.3 W (8-port without fiber)
 - 5.6 W (5-port with 2 fiber)
 - 6.3 W (8-port with 2 fiber)
- Input voltage (all models) 10-30 VDC (continuous)
- Transient protection 15,000 watts peak
- Spike protection 5,000 watts (10 times for 10 uS)

ENVIRONMENTAL

- Operating temperature range -40 to +75°C
- Cold startup at -40°C
- Storage temperature range -40 to +85 °C
- Humidity (non-condensing) 5 to 95% RH (conformal coating optional)
- Vibration and shock: IEC 60068-2-6, -27 and -32
- Maximum Operating Altitude: 30,000 ft.

STANDARDS COMPLIANCE

- Electrical safety UL508/CSA C22.2/14; EN61010-1, CE
- EMI emissions FCC part 15, ICES-003; EN6100-6-4, CE
- EMC immunity IEC61000-6-2, CE
- Hazardous locations UL1604, CSA C22.2/213 (Class I, Div. 2); EN60079-15 (Zone 2; Category 3), CE (ATEX)
- Marine offshore rated per ABS
- Eye safety (fiber models) IEC60825-1, Class 1; FDA 21 CFR 1040.10 and 1040.11
- MTBF: >2MM Hours GB @ 40°C per MIL-HNDBK-217F2

PHYSICAL

- DIN rail or direct panel mounting
- Packaging - Aluminum with IP40 protection
- Weight 8 oz (0.23 kg) for 5MS-1/4/5; 10 oz (0.28 kg) for 8MS-1/4/5

All specifications are subject to change. Consult factory for latest info.

ORDERING GUIDE

SLX-5MS-1	5 RJ45 10/100 ports
SLX-5MS-4SC SLX-5MS-4ST	3 RJ45 ports & 2 multimode fiber optic port with SC or ST style connector, 4Km
SLX-5MS-5SC SLX-5MS-5ST	3 RJ45 ports & 2 singlemode fiber optic port with SC or ST style connector, 20Km
SLX-8MS-1	8 RJ45 10/100 ports
SLX-8MS-4SC SLX-8MS-4ST	6 RJ45 ports & 2 multimode fiber optic port with SC or ST style connector, 4Km
SLX-8MS-5SC SLX-8MS-5ST	6 RJ45 ports & 2 singlemode fiber optic port with SC or ST style connector, 20Km
SLX-8MS-8/9	See separate datasheet for managed slim line models with up to 4 fiber optic ports

Special, mixed or long-haul (up to 120 km) fiber transceivers are available for special order.



www.redlion.net

Connect. Monitor. Control.

Americas
sales@redlion.net

Asia-Pacific
asia@redlion.net

Europe
Middle East
Africa
europe@redlion.net

+1 (717) 767-6511

As the global experts in communication, monitoring and control for industrial automation and networking, Red Lion has been delivering innovative solutions for over forty years. Our automation, Ethernet and cellular M2M technology enables companies worldwide to gain real-time data visibility that drives productivity. Product brands include Red Lion, N-Tron and Sixnet. With headquarters in York, Pennsylvania, the company has offices across the Americas, Asia-Pacific and Europe. Red Lion is part of Spectris plc, the productivity-enhancing instrumentation and controls company. For more information, please visit www.redlion.net.

ADLD0210 041615 ©2015 Red Lion Controls, Inc. All rights reserved. Red Lion, the Red Lion logo, N-Tron and Sixnet are registered trademarks of Red Lion Controls, Inc. All other company and product names are trademarks of their respective owners.