

INDUSTRIAL FAST ETHERNET FIBER OPTIC PORTS

PRODUCT HIGHLIGHTS

- Multimode and singlemode models available
- Noise immune fiber optic runs up to 120 km
- Industrial rated for -40 to 85°C operation
- Available in SC or ST duplex connectors (FC available special order)
- Fully compliant with IEEE 802.3u Fast Ethernet (100 Mbps) standards
- Low power consumption

RECOMMENDED OPERATING CONDITIONS

PARAMETER	MIN.	TYP.	MAX	UNIT	NOTE
Operating Temperature	-40	-	85	° C	-
Storage Temperature	-40	-	85	° C	-
Data Rate	50	155	200	Mbit/s	-

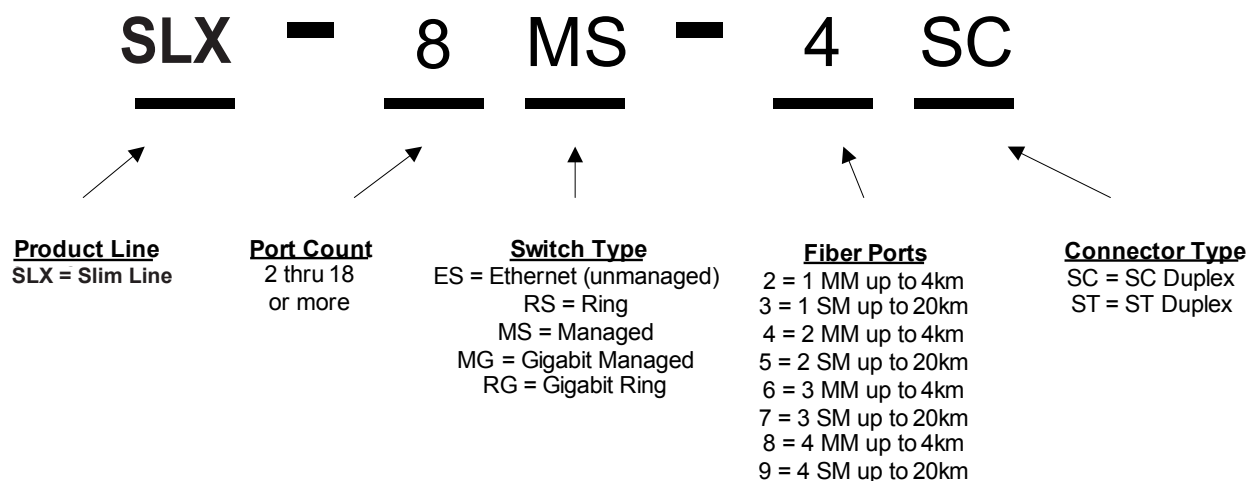
THESE INDUSTRIAL RATED FIBER OPTIC TRANSCEIVERS ARE INTEGRATED IN MANY SIXNET INDUSTRIAL ETHERNET SWITCHES.



Lead and Hazardous Substance Free

ORDERING GUIDE

Note: This doesn't apply to all models. Refer to the datasheet of each model for exact ordering information.)



TRANSMITTER OPTICAL CHARACTERISTICS:						
PARAMETER	RATING¹	MIN.	TYP.	MAX.	UNIT	NOTE
Optical Transmit Power	4km (LED)	-19	-	-14	dBm	Average
	20km (FP)	-15	-	-7		
	40km (FP)	-5	-	0		
	60km (FP)	-3	-	2		
	80km (DFB)	-5	-2.5	0		
	120km (DFB)	0	2.5	5		
Extinction Ratio	4km, 20km 40, 60, 80, 120KM	8.2 10	- -	- -	dB	P1/P0
Output Center Wavelength	4km, 20km, 40km 80km, 120km	1260 1480	1310 1550	1360 1580	nm	
Spectral Width (-20dB)	4km	-	-	80	nm	
	20km	-	-	7.7		
	40km, 60km	-	-	4		
	80km, 120km	-	-	1		
Side Mode Suppression Ratio	80km, 120km	30	-	-	dB	
Rise/Fall time (10%-90%)	all models	-	-	2	ns	
Relative Intensity Noise	-	-	-	-117	dB/Hz	
Output Eye	Compliant with Bellcore TR-NWT-000253 and ITU-T G.957/OC-3					
RECEIVER OPTICAL CHARACTERISTICS:						
Wavelength Operation	all models	1200	-	1600	nm	
Sensitivity	4km	-	-	-32	dBm	2
	20km	-	-	-31		
	40km, 80km	-	-	-34		
	60km	-	-	-36		
	120km	-	-	-35		
Saturation Input Power	all models	-3	-	-	dBm	2
Signal Detect-Asserted	4km	-	-	-32	dBm	
	20km	-	-	-31		
	40km, 80km	-	-	-34		
	60km	-	-	-36		
	120km	-	-	-35		
Signal Detect- Deasserted	all models	-45	-	-	dBm	
Signal Detect- Hysteresis	all modela	1	-	6	dB	

Notes:

1. The distance rating is for reference only. The actual transmission distance will depend on the system setup and the power budget should be used for distance estimation.
2. Minimum sensitivity and saturation levels measured at 10-10 BER for 223 – 1 PRBS

All specifications are subject to change. Consult factory for latest info.



SIXNET Technology Park
331 Ushers Road • Ballston Lake, NY 12019 • USA
1.518.877.5173 • Fax 1.518.877.8346 • sales@sixnet.com

Datasheet FxFIBER-SC-ST
Rev: 10 Aug, 2009