

PLIO06, PLIO06-CDS MULTIFUNCTION DIGITAL I/O MODULE

PLIO06: -8 digital inputs
 -6 digital outputs
 -1 relay output

The PLIO06 is a compact multifunction I/O module. It has been designed as an optional plug-in for the eTOP Series 500 HMI products. The PLIO06 provides typical industrial isolated digital inputs and outputs.

The PLIO06-CDS has installed CODESYS™ softlogic system.

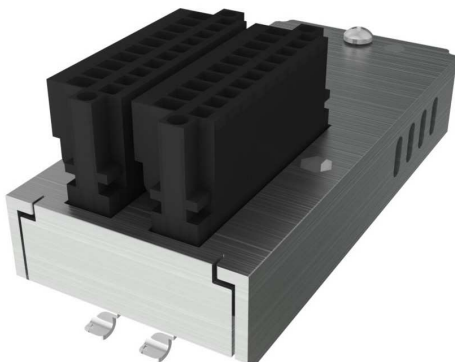
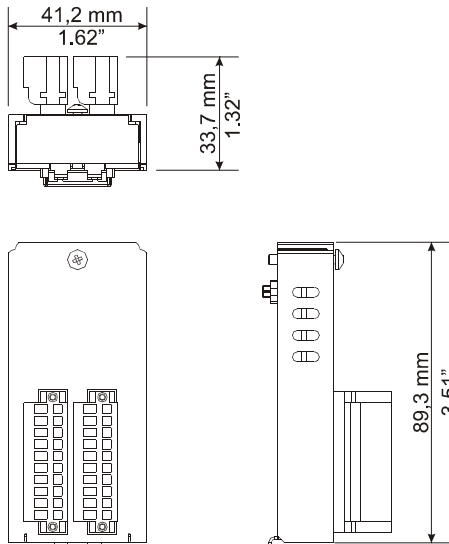
Specifications

DIGITAL INPUTS

Description	Specifications
Input channels	8 digital optoisolated (industrial standard) source active high (+24VDC) inputs. All inputs are internally connected to 0VDC of PLIO06 power supply.
Input voltage range	12÷30VDC (min 3mA), 35VDC max for 500 ms
ON-state voltage/current	12÷30VDC (min 3mA) 6mA @ 24VDC, 9mA @ 30VDC
OFF-state voltage/current	6VDC max, 1mA
Input impedance	3,3K Ohm
Input filter delay max	50 µs
Debounce filter	Programmable 0.1ms to 20ms
Isolation	1500 Vrms
Connector type	Ommimate Range header/plugs 3.5mm-10 contacts (two piece terminal blocks) SL-SMT 3.5/180F Box + BLZF 3.5/180F

1 MANPLIO06-001 V.1.00

Dimensions



3 MANPLIO06-001 V.1.00

DIGITAL OUTPUTS

Description	Specifications
Output channels	6 digital source type optoisolated outputs with feedback of output driver fault status.
Output voltage	12÷30VDC
Output current	0,5A
Output delay time	150 µs max
Output protection	Overcurrent and overtemperature protected driver
Isolation	1500 Vrms
Connector type	Ommimate Range header/plugs 3.5mm-10 contacts (two piece terminal blocks) SL-SMT 3.5/180F Box + BLZF 3.5/180F

RELAY OUTPUT

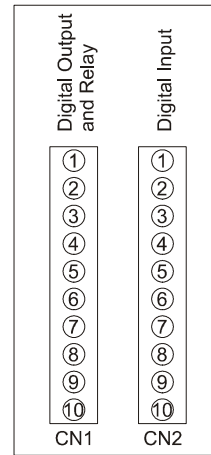
Description	Specifications
Output channels type	Relay single contact (norm open)
Load	Resistive load
Rated load	1A at 30Vrms
Max switching voltage	42.4Vac (30Vrms); 60Vdc
Max switching current	1A
Isolation	1500 Vrms

ENVIRONMENTAL CONDITIONS

Description	Specifications
Operating temperature	0÷50 °C
Storage temperature	-20÷70 °C
Operating humidity	5÷85% relative humidity, non condensing
Protection class	IP20

2 MANPLIO06-001 V.1.00

Pin assignment/connectors view

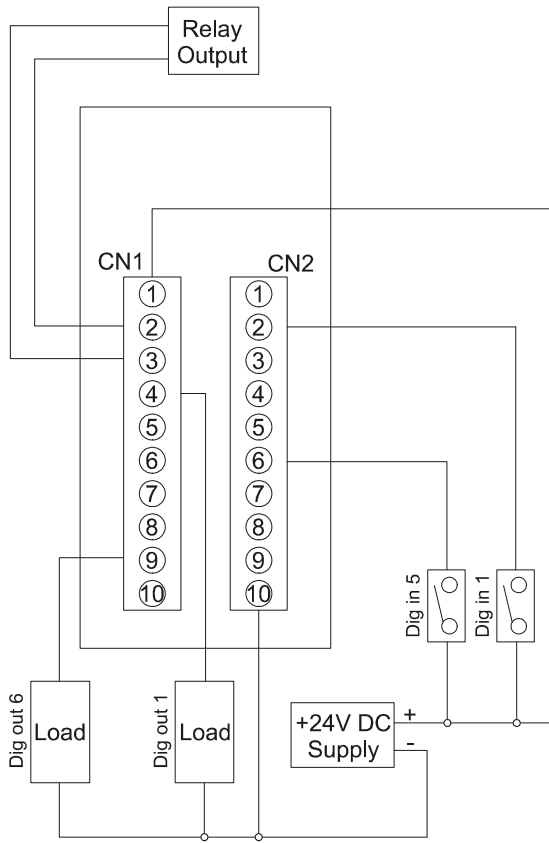


CN1 (Dig. Out.) CN2 (Dig. In.)

1 +24V	1 +24V
2 Relay 1	2 In 1
3 Relay 2	3 In 2
4 Out 1	4 In 3
5 Out 2	5 In 4
6 Out 3	6 In 5
7 Out 4	7 In 6
8 Out 5	8 In 7
9 Out 6	9 In 8
10 GND	10 GND

4 MANPLIO06-001 V.1.00

Wiring examples (standard digital inputs and outputs)



Note on wiring

The cables must be no longer than 30m.

5

MANPLIO06-001 V.1.00

6

MANPLIO06-001 V.1.00

7

MANPLIO06-001 V.1.00

8