



# IMD-A120

## 12.1" INDUSTRIAL MONITOR



- ✓ 12.1" Color Active TFT Flat Panel Display
- ✓ 800 x 600 (native mode), 300 cd/m<sup>2</sup>
- ✓ Front Panel NEMA 4/IP 65 rated
- ✓ Steel chassis & front panel
- ✓ OSD controls on back side
- ✓ Auto phase / Auto position
- ✓ Optional resistive touch screen



## DESCRIPTION

The IMD-A120(T) industrial monitor with 12.1" TFT LCD (300 cd/m) is a perfect fit for monitoring and control applications.

The 'T' version additionally offers a resistive touch screen.

The OSD buttons are situated on the back so the settings can't be changed accidentally.

The front panel of the display monitor is sealed with a gasket for NEMA 4/IP 65 rating when it is mounted in a NEMA rated cabinet or enclosure.

## FEATURES

- ✓ 12.1" Color Active TFT Flat Panel Display
- ✓ Optional resistive touch screen
- ✓ Black painted steel front panel\* with NEMA 4/IP 65 rating
- ✓ VGA, DVI (optional), Composite Video & S-Video (optional) input
- ✓ Auto phase / Auto position
- ✓ OSD controls on back side
- ✓ 90~240 VAC power input
- ✓ LCD Display: 12.1" SVGA 800 x 600 (native mode)  
262K Colors, 300 cd/m<sup>2</sup> Luminance  
Viewing angle : 120° (H) / 95° (V)  
Backlight life: 50,000 hours

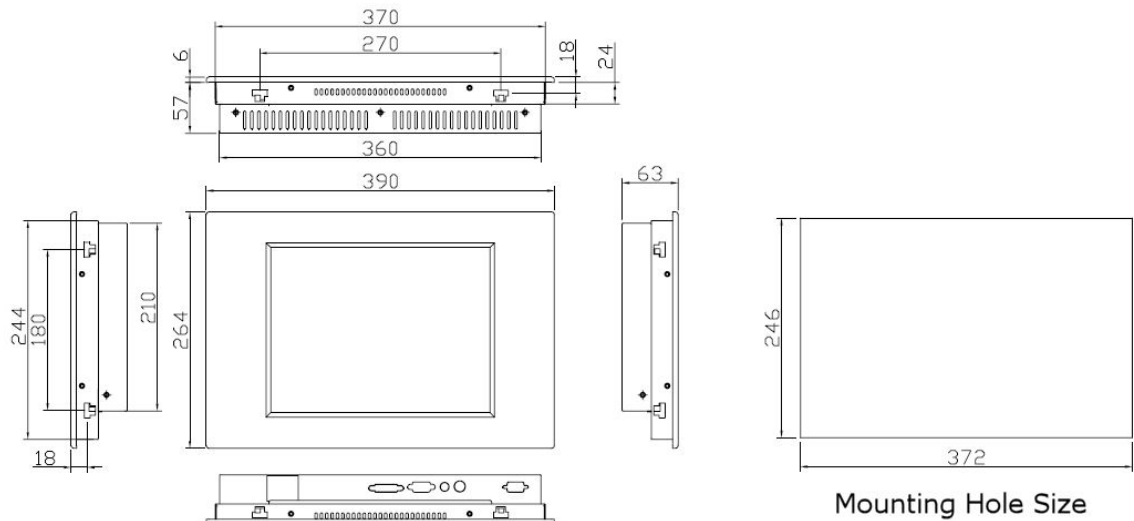
\* Other colors available on request



# IMD-A120

## 12.1" INDUSTRIAL MONITOR

### Dimensions:



### Display Specifications

Display:	12.1" Color Active TFT Flat Panel Display
Luminance:	300 cd/m <sup>2</sup>
Resolution:	800 x 600 (native mode), 262K colors
Viewing Angle:	120° (H) / 95° (V)
Backlight Life:	CCFL 2 tubes, 50,000 hrs
OSD Controls/Indicators:	Automatic Screen, Setup (OSD), Brightness, Contrast, Horizontal/Vertical Position, Image Lock, Color Balance, Video Information, Power On and Sync
Touch Screen:	Resistive (optional)
Ports:	VGA, DVI (optional), Composite Video & S-Video (optional)
Power Supply:	90-240 VAC

### Mechanical Specifications

Construction:	Heavy-duty steel chassis, IP-65 certified steel front panel
Color:	Black (other colors or stainless steel available on request)
Dimensions:	390 mm (W) x 63 mm (D) x 264 mm (H)

### Environmental Specifications

Operating Temperature:	0-50°C
Storage Temperature:	-20°C-60°C
Relative Humidity:	10-90% @ 40°C Non-condensing
Vibration:	1G peak, 5-500 Hz (Random)
Shock:	15G peak acceleration (11 msec. duration)
Certification:	CE, FCC Class A